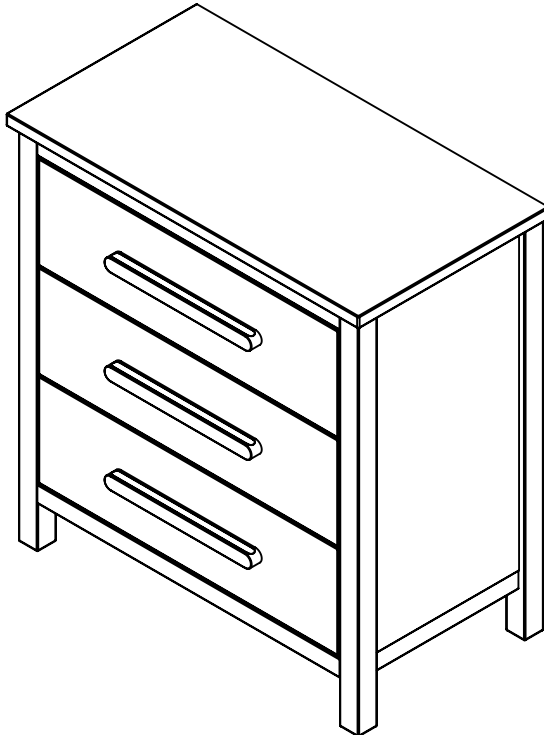


GROTIME

3 DRAWER CHEST

33149



Follow all manufacturer's assembly instructions carefully to ensure the safety features to the chest are not compromised.

Grotime

110-114 Old Bathurst Rd,
Emu Plains, NSW 2750

P.O. Box 487, Emu Plains,
NSW 2750

Customer Care

Email: customercare@infa.com.au

AUSTRALIA
1300 92 4632

www.grotime.com.au

NEW ZEALAND
067 590 870

www.grotime.co.nz

WARNING:

RETAIN FOR FUTURE REFERENCE.

READ ALL INSTRUCTIONS CAREFULLY BEFORE ASSEMBLY AND USE OF THIS DRAWER CHEST. KEEP INSTRUCTIONS FOR FUTURE USE.

ALWAYS FOLLOW THE INSTRUCTIONS.

THE CORRECT USE AND MAINTENANCE OF THIS PRODUCT IS ESSENTIAL.

WARNING

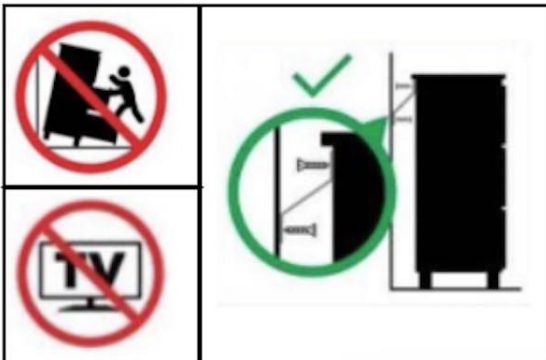
DRAWER CHEST:

- BEFORE USE OF THE DRAWER CHEST, READ AND UNDERSTAND THE INSTRUCTIONS.
- ALWAYS USE AN ANCHOR DEVICE. THIS IS SUPPLIED WITH THIS PRODUCT TO PREVENT INJURY TO YOUR CHILD. THIS FURNITURE ITEM CAN TIP WHEN THE ANTI-TIP STRAP IS NOT USED, ESPECIALLY WHEN PLACED ON CARPET, UNEVEN OR SLOPING FLOORING OR WHEN SUBJECT TO EXTREME USE.
- REMEMBER TO INSPECT YOUR CHEST OF DRAWERS REGULARLY FOR WEAR OR ACCIDENTAL DAMAGE AND FOR THE SECURITY OF COMPONENTS.
- KEEP INSTRUCTIONS IN A SAFE PLACE FOR FUTURE REFERENCE.

DANGER

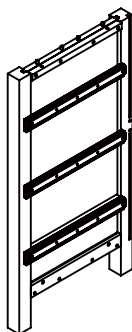
CHILDREN HAVE DIED FROM FURNITURE TIPPING OVER:

- ALWAYS SECURE THIS FURNITURE WITH AN ANCHOR DEVICE.
- NEVER ALLOW CHILDREN TO STAND, CLIMB OR HANG ON DRAWERS, DOORS, OR SHELVES.
- NEVER OPEN MORE THAN ONE DRAWER AT A TIME.
- PLACE HEAVY ITEMS DOWN LOW.
- NEVER PLACE A TELEVISION ON THIS FURNITURE.

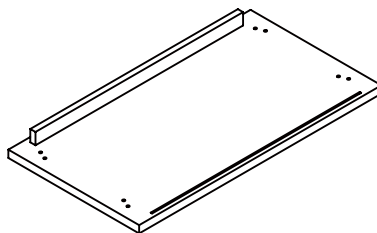


Part List

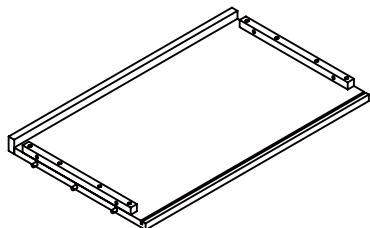
A Side Panel x 2



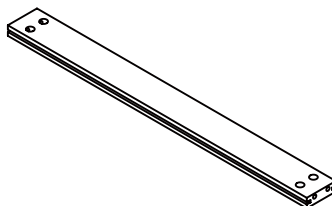
B Top Board x 1



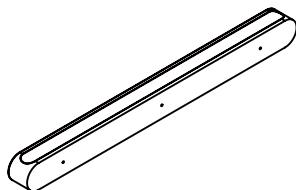
C Bottom Base x 1



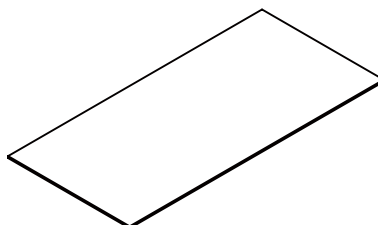
D Back Rail x 1



E Handle x 3

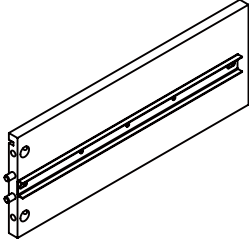


F Back Panel x 2

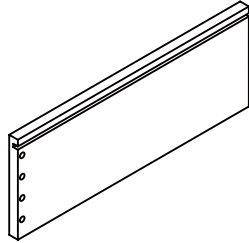


Part List

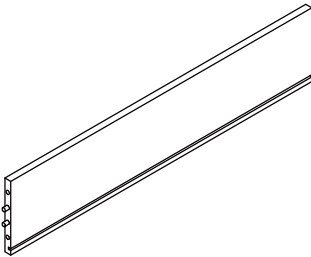
G Drawer Side Panel x 3
(Right side)



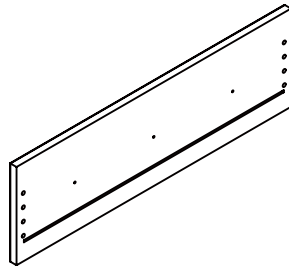
H Drawer Side Panel x 3
(Left Side)



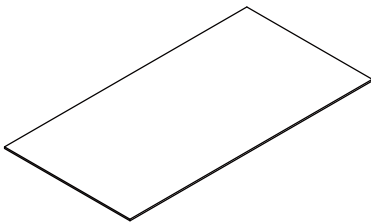
I Drawer Back Panel x 3



J Drawer Front Panel x 3



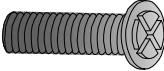
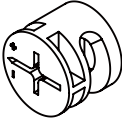

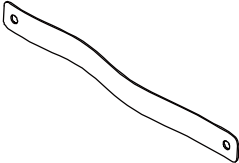


K Drawer Base Panel x 3



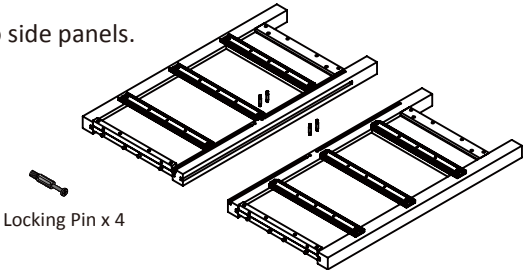
L M6 x 35mm Bolt x 8



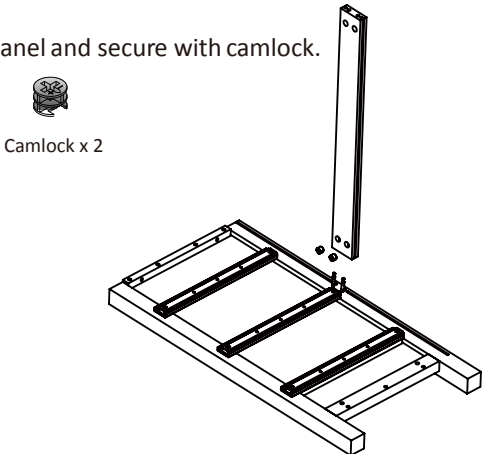
Part List

<p>M M4 x 25mm Bolt x 9</p>  A technical drawing of a standard hex-head bolt with a threaded shank and a hexagonal head.	<p>N Camlock x 28</p>  A technical drawing of a cylindrical camlock mechanism with a keyhole on one side and a cam on the other.
<p>O Locking Pin x 28</p>  A technical drawing of a locking pin with a hexagonal head, a smooth cylindrical body, and a threaded end.	<p>P Wall Strap x 1</p>  A technical drawing of a curved metal wall strap with two circular mounting holes at its ends.
<p>Q Screwdriver x 1</p>  A technical drawing of an L-shaped screwdriver with a hexagonal handle and a pointed tip.	<p>R M4 x 25mm Self-tapping Screw x 2</p>  A technical drawing of a self-tapping screw with a hexagonal head and a sharp, pointed tip.

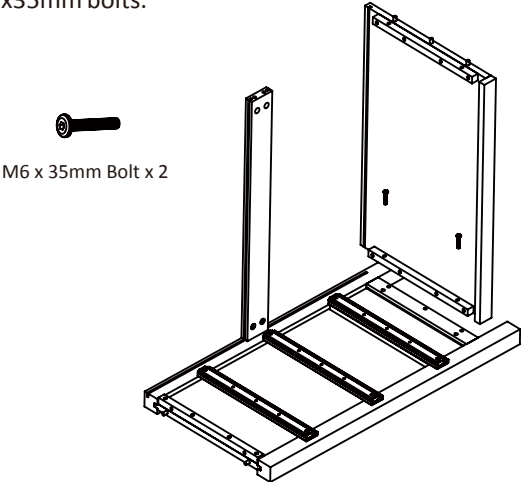
Step 1: Fit locking pins to two side panels.



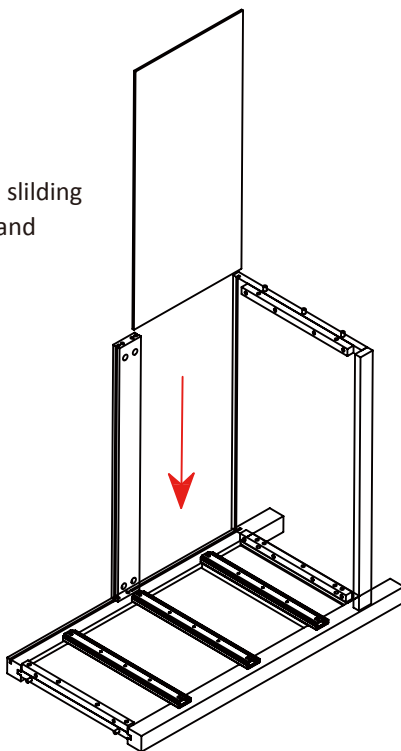
Step 2: Fit back rail to one side panel and secure with camlock.



Step 3: Fit the bottom base onto one side panel and secure with M6 x 35mm bolts.



Step 4: Insert the bottom back panel sliding into grooves on the back rail and bottom base.



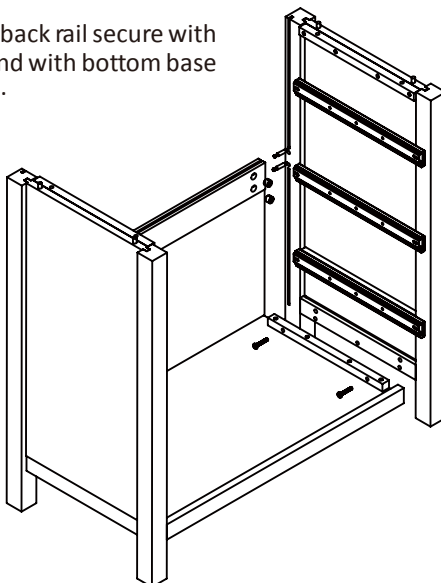
Step 5: Fit the other side panel with back rail secure with locking pins and camlocks, and with bottom base secure with M6 x35mm bolts.



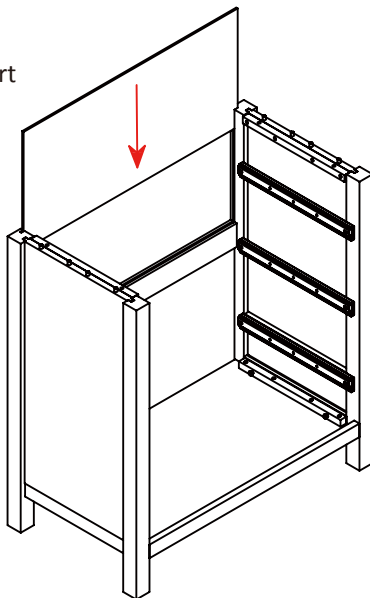
camlock x 2



M6 x 35mm Bolt x 2



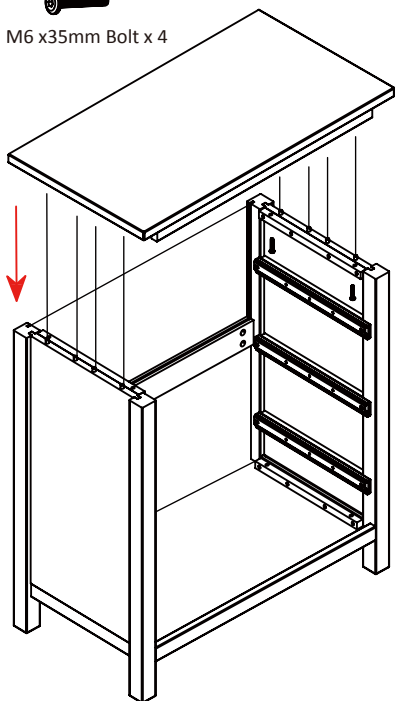
Step 6: Turn around the chest frame and insert rest back panel sliding into grooves on the two side panels and back rail.



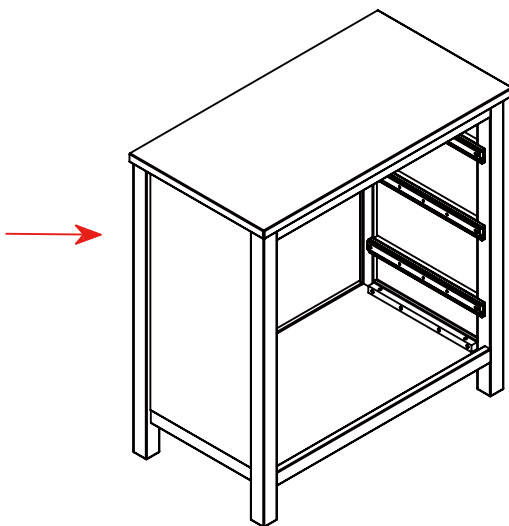
Step 7: Place top board onto chest frame and secure with M6 x 35mm bolts.



M6 x35mm Bolt x 4



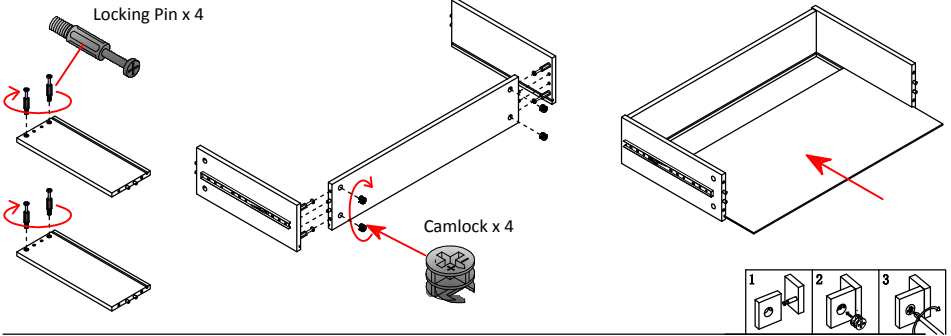
Now the chest frame is completed.



Step 8: Fit locking pins to drawer side panel

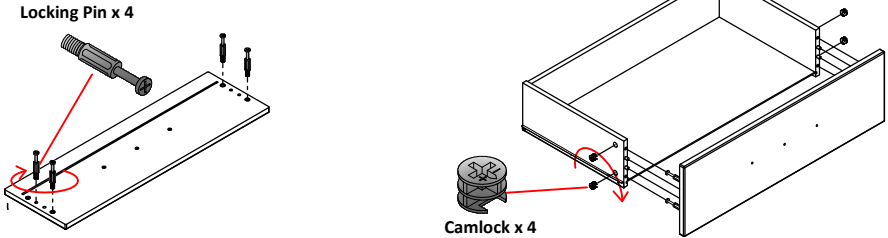
Fit camlocks to drawer rear panels

Insert base into the grooves in the drawer side panels.



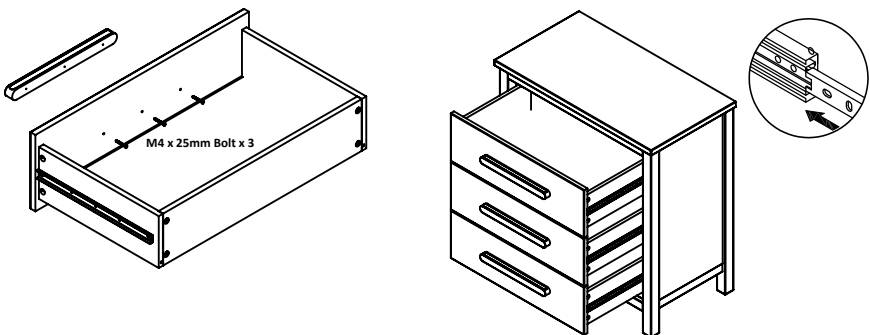
Step 9: Fit locking pins into front drawer panels.

Fit drawer side panels to the drawer front panel and secure with camlocks.



Step 10: Place drawer handles in position and screw in from rear.

Insert the runners on the drawers into runners fixed into frame of the chest, once aligned push drawers in.



Wall Anchor Instructions

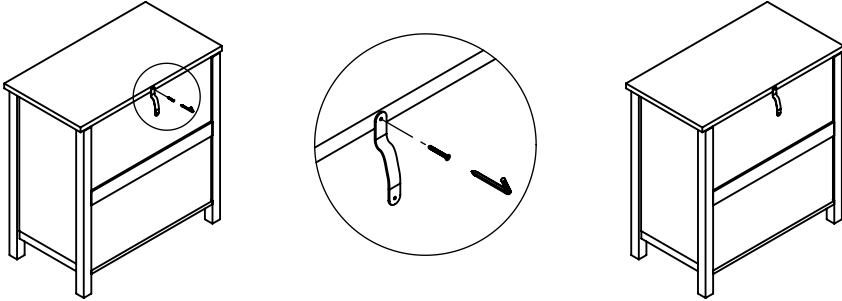
Self Tapping Screw x 2



Wall Strap x 1

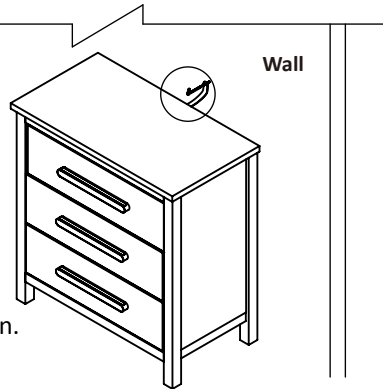


Step 1: Screw wall strap to the chest of drawers using screws as shown.



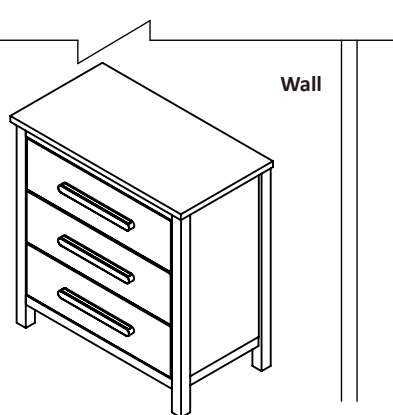
Step 2: Position the strap the gap of its intended final position in order to give you room to screw the wall strap into the wall.

NOTE: The wall fixing is not provided. Seek advice from a local hardware supplier about the appropriate fixing needed for your home and how to finish the installation.



Step 3: Once you have secured the wall fixing, adjust the drawer's unit position so the strap is hidden.

NOTE: Two people maybe required for this step.



CARE AND MAINTENANCE

- Check Three Drawer Chest regularly to ensure that locking devices and components are secure and working properly.
- Always check parts regularly for tightness of screws, nuts and other fasteners – tighten or replace if required.
- To maintain the safety of your Three Drawer Chest, discontinue use and seek prompt repairs for bent, torn, worn or broken parts.
- Regularly inspect and maintain your product to ensure the freedom of movements of the locking devices and assembly fittings are tightened correctly.
- To prolong the life of your Three Drawer Chest, keep it clean and do not leave it in direct sunlight for extended periods of time.
- Use a damp cloth to clean the frame.
- Do not use abrasive cleaners.

GROTiME

Grotime

110-114 Old Bathurst Road, Emu Plains, NSW 2750

Australia: 1300 92 4632 New Zealand: 067 590 870

www.grotime.com.au www.grotime.co.nz
