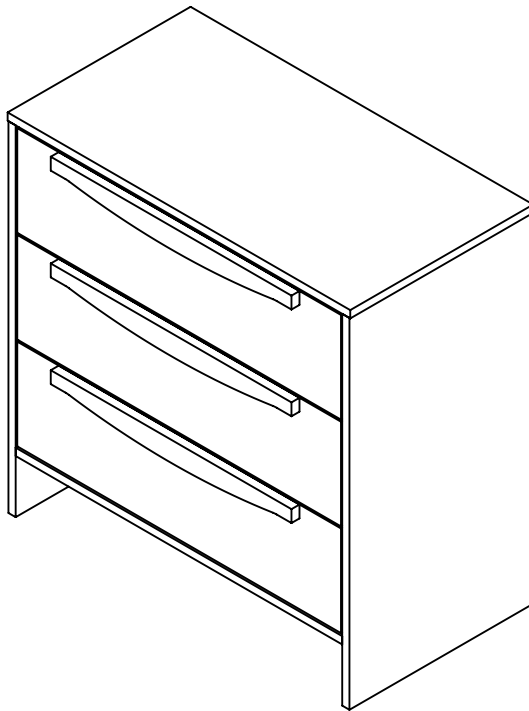


# GROTIME

## GRACE CHEST

### 33148



Follow all manufacturer's assembly instructions carefully to ensure the safety features to the chest are not compromised.

#### Grotime

110-114 Old Bathurst Rd,  
Emu Plains, NSW 2750

P.O. Box 487, Emu Plains,  
NSW 2750

#### Customer Care

**Email:** [customercare@infa.com.au](mailto:customercare@infa.com.au)

AUSTRALIA  
1300 92 4632

[www.grotime.com.au](http://www.grotime.com.au)

NEW ZEALAND  
067 590 870

[www.grotime.co.nz](http://www.grotime.co.nz)

# **WARNING:**

RETAIN FOR FUTURE REFERENCE.

READ ALL INSTRUCTIONS CAREFULLY BEFORE ASSEMBLY AND USE OF THIS DRAWER CHEST. KEEP INSTRUCTIONS FOR FUTURE USE.

ALWAYS FOLLOW THE INSTRUCTIONS.

THE CORRECT USE AND MAINTENANCE OF THIS PRODUCT IS ESSENTIAL.

## **WARNING**

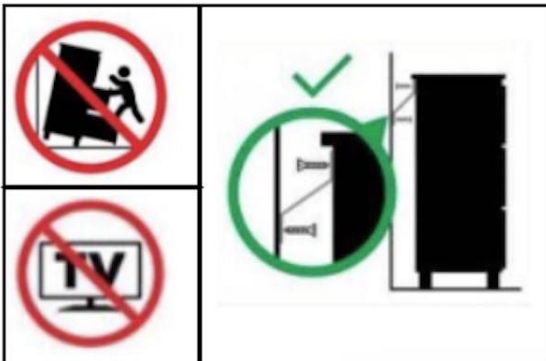
### **DRAWER CHEST:**

- BEFORE USE OF THE DRAWER CHEST, READ AND UNDERSTAND THE INSTRUCTIONS.
- ALWAYS USE AN ANCHOR DEVICE. THIS IS SUPPLIED WITH THIS PRODUCT TO PREVENT INJURY TO YOUR CHILD. THIS FURNITURE ITEM CAN TIP WHEN THE ANTI-TIP STRAP IS NOT USED, ESPECIALLY WHEN PLACED ON CARPET, UNEVEN OR SLOPING FLOORING OR WHEN SUBJECT TO EXTREME USE.
- REMEMBER TO INSPECT YOUR CHEST OF DRAWERS REGULARLY FOR WEAR OR ACCIDENTAL DAMAGE AND FOR THE SECURITY OF COMPONENTS.
- KEEP INSTRUCTIONS IN A SAFE PLACE FOR FUTURE REFERENCE.

## **DANGER**

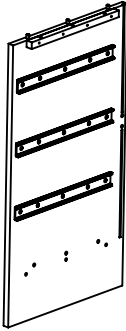
### **CHILDREN HAVE DIED FROM FURNITURE TIPPING OVER:**

- ALWAYS SECURE THIS FURNITURE WITH AN ANCHOR DEVICE.
- NEVER ALLOW CHILDREN TO STAND, CLIMB OR HANG ON DRAWERS, DOORS, OR SHELVES.
- NEVER OPEN MORE THAN ONE DRAWER AT A TIME.
- PLACE HEAVY ITEMS DOWN LOW.
- NEVER PLACE A TELEVISION ON THIS FURNITURE.

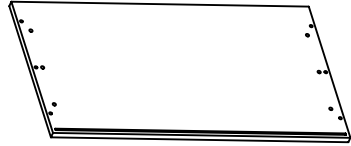


# Part Lists

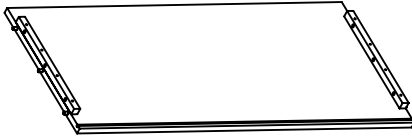
**A** Side Panel x 2



**B** Top Panel x 1



**C** Bottom Base x 1



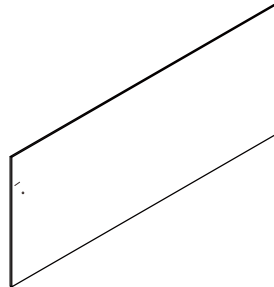
**D** Back Rail x 1



**E** Handle x 3

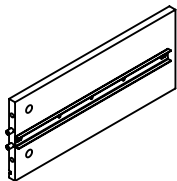


**F** Back Panel x 2

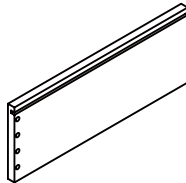


# Part List

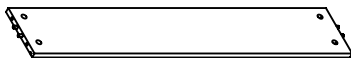
**G** Drawer Side Panel x 3  
(Right Side)



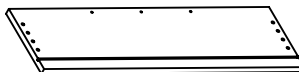
**H** Drawer Side Panel x 3  
(Left Side)



**I** Drawer Back Panel x 3



**J** Drawer Front Panel x 3



**K** Drawer Base Panel x 3



**L** M6 x 30mm Bolt x 12

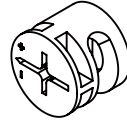


# Part List

**M** M4 x 25mm Bolt x 15



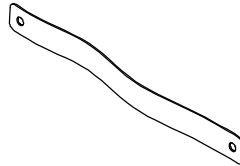
**N** Camlock x 28



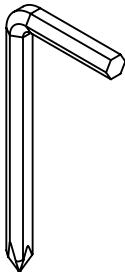
**O** Locking Pin x 28



**P** Wall Strap x 1



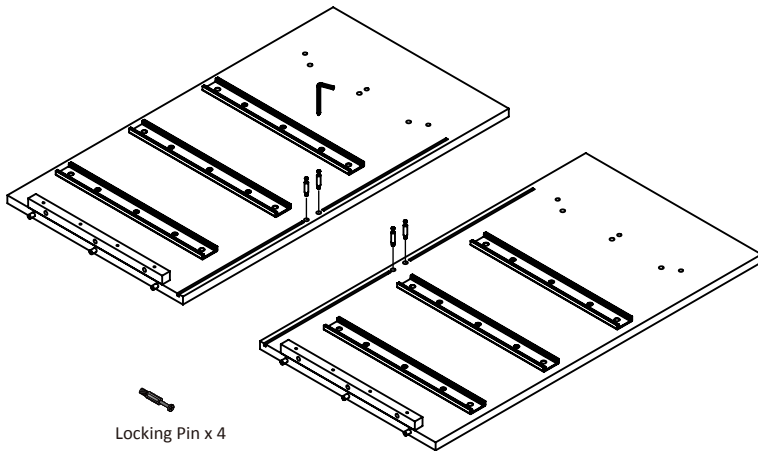
**Q** Screw Driver x 1



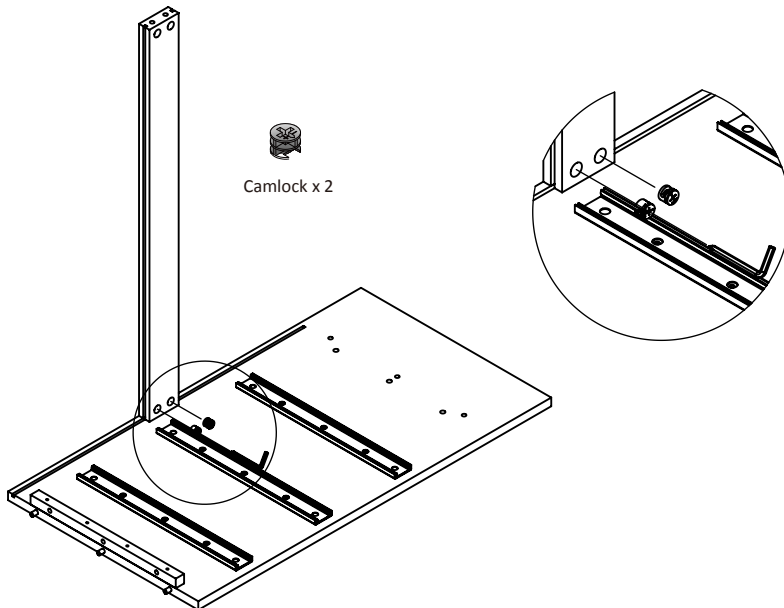
**R** M4 x 25mm Self-tapping Screw x 2



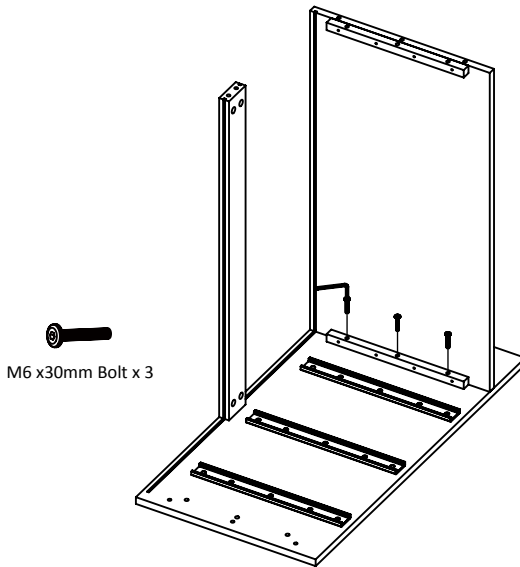
**Step 1:** Fit locking pins into side panels.



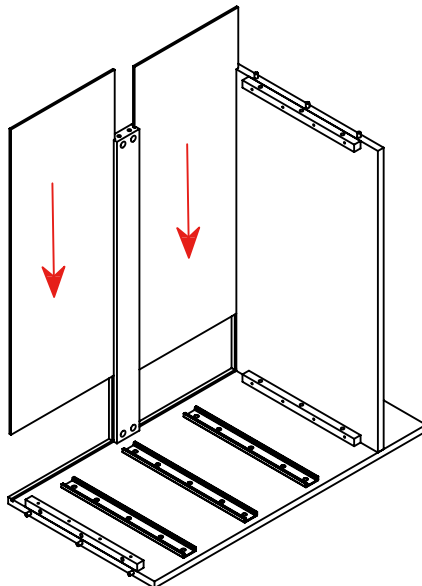
**Step 2:** Fit back rail to one side panel secure with camlock.



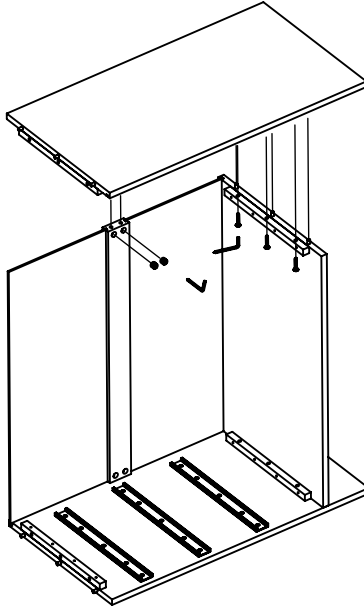
**Step 3:** Fit the bottom board onto one side panel and secure with M6 x 30mm bolts.



**Step 4:** Insert the two back panels sliding into the grooves on the back rail and the bottom panel.

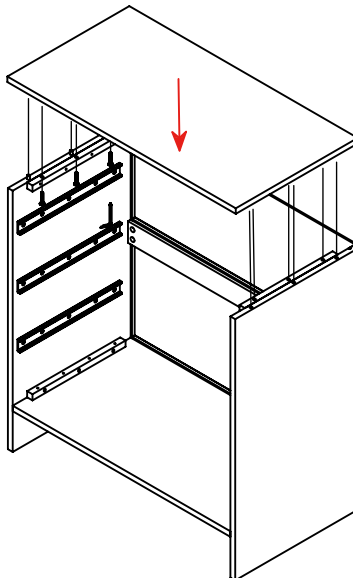


**Step 5:** Fit the other side panel with the bottom panel and the back rail as shown, and secure with M6 x 30mm bolts and camlocks.



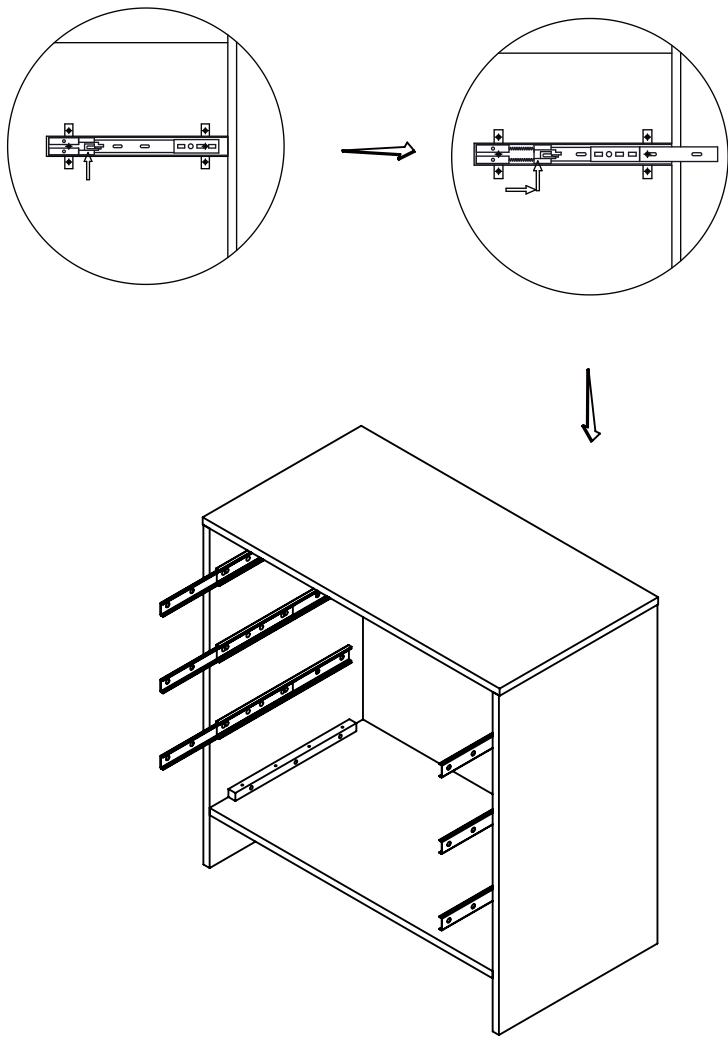
M6 x 30mm bolt x 3

**Step 6:** Fit the top board onto two side panels and secure with M6 x 30mm bolts.



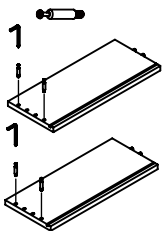
M6 x 30mm bolt x 6

**Step 7:** Before inserting the drawers, make sure that plastic piece in the runners are in the locked position (when plastic piece is pulled out it will click into place). The runner will then protrude from the frame slightly.



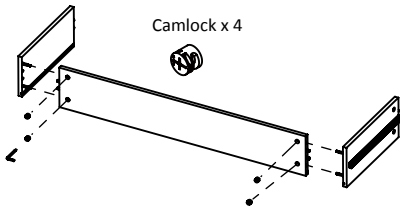
**Step 8:** Fit locking pins into drawer side panels.

Locking pin x 4

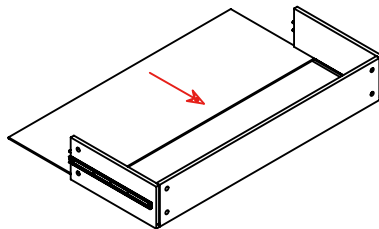


Fit camlocks to drawer rear panels.

Camlock x 4

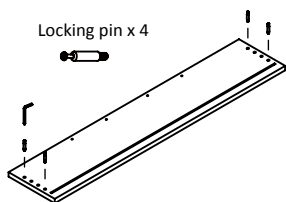


Insert base into the grooves in the drawer side panels.



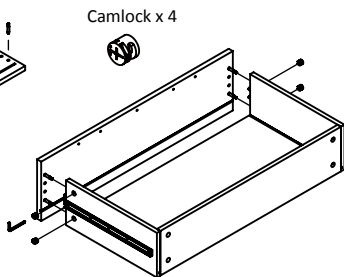
**Step 9:** Fit locking pins into front drawer panels.

Locking pin x 4



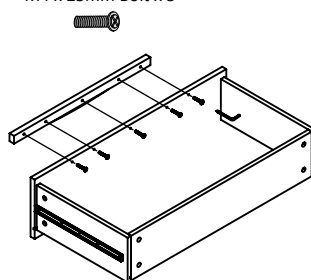
Fit drawer side panels to the drawer front panel secure with camlocks.

Camlock x 4



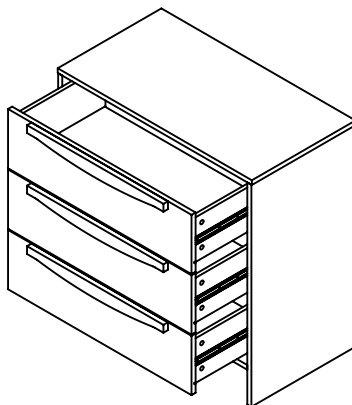
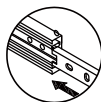
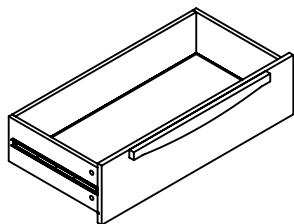
Place drawer handles in position and screw in from rear.

M4 x 25mm Bolt x 5



**Step 10:** The drawer is completed.

Insert the runners on the drawers into runners fixed into frame of the chest, once aligned push drawers in.



## Wall Anchor Instructions

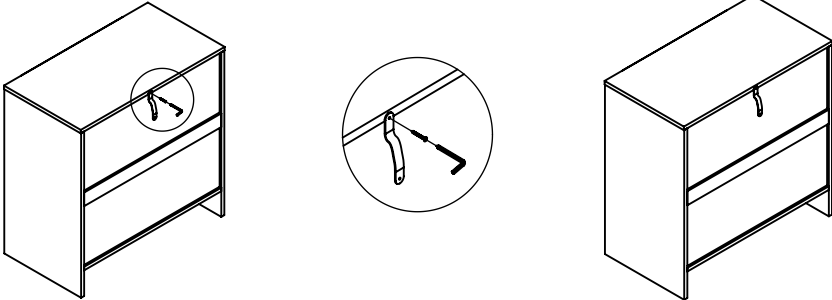
Self Tapping Screw x 2



Wall Strap x 1



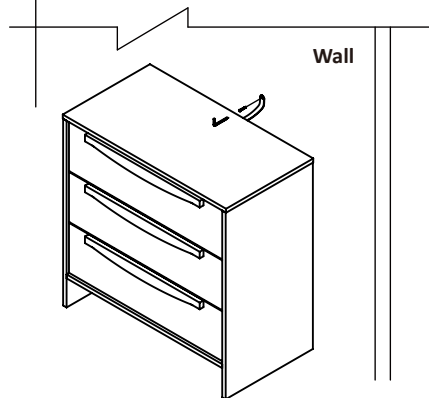
**Step 1:** Screw wall strap to the chest of drawers using screws as shown.



**Step 2:**

Position the strap the gap of its intended final position in order to give your room to screw the wall strap into the wall.

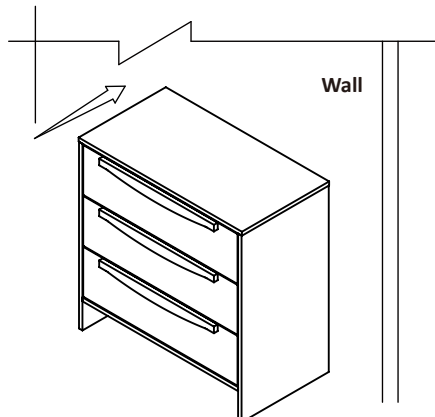
**NOTE: The wall fixing is not provided. Seek advice from a local hardware supplier about the appropriate fixing needed for your home and how to finish the installation.**



Step 3:

Once you have secured the wall fixing, adjust the drawer unit's position so the strap is hidden.

**NOTE: Two people maybe required for this step.**



# CARE AND MAINTENANCE

- Check Three Drawer Chest regularly to ensure that locking devices and components are secure and working properly.
- Always check parts regularly for tightness of screws, nuts and other fasteners – tighten or replace if required.
- To maintain the safety of your Three Drawer Chest, discontinue use and seek prompt repairs for bent, torn, worn or broken parts.
- Regularly inspect and maintain your product to ensure the freedom of movements of the locking devices and assembly fittings are tightened correctly.
- To prolong the life of your Three Drawer Chest, keep it clean and do not leave it in direct sunlight for extended periods of time.
- Use a damp cloth to clean the frame.
- Do not use abrasive cleaners.

**GROTiME**

Grotime

110-114 Old Bathurst Road, Emu Plains, NSW 2750

Australia: 1300 92 4632    New Zealand: 067 590 870

[www.grotime.com.au](http://www.grotime.com.au)

[www.grotime.co.nz](http://www.grotime.co.nz)

---