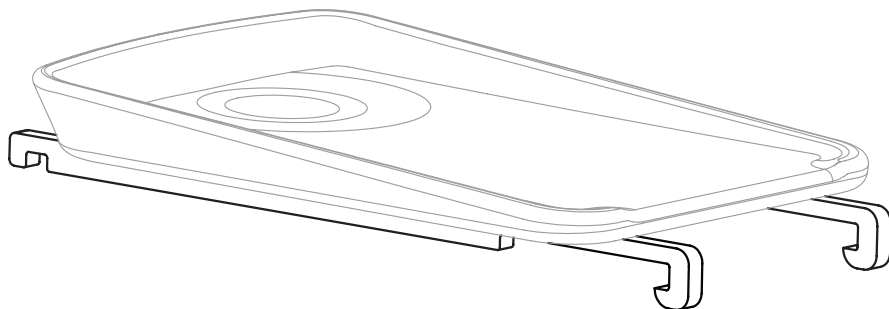




# CP100 CHANGER SUPPORTS

## 35107



Follow all manufacturer's assembly instructions carefully to ensure the safety features of the changer supports are not compromised

**NOTE: KEEP INSTRUCTIONS FOR FUTURE USE.**

### Grottime

110-114 Old Bathurst Rd,  
Emu Plains, NSW 2750

P.O. Box 487, Emu Plains,  
NSW 2750

### Customer Care

**Email:** [customercare@grottime.com.au](mailto:customercare@grottime.com.au)

AUSTRALIA  
1300 799 912  
[www.grottime.com.au](http://www.grottime.com.au)

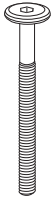
NEW ZEALAND  
+61 2 4728 8067  
[www.grottime.co.nz](http://www.grottime.co.nz)



Carefully remove all packaging material and dispose of it according to grade. Be careful not to throw away any components by mistake. After use, dispose of the product in an environmentally friendly manner at your local recycling centre

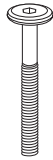
**NOTE: Grottime 35107 is designed to be used with the Grottime CP100 on compatible Grottime cots only.**

## HARDWARE INVENTORY



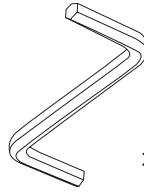
x 2

50mm bolt



x 2

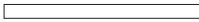
35mm bolt



x 1

Allen key

## PARTS INVENTORY



Protective Foam Strip



x 2

Timber Hangers

# **WARNING**

**FALL HAZARD:** Children have suffered serious injuries after falling from change tables. Falls can happen quickly.

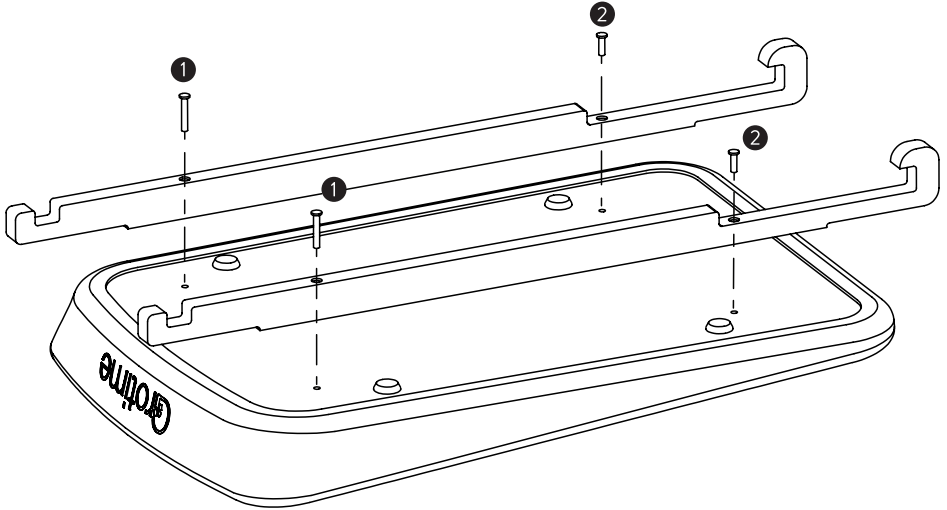
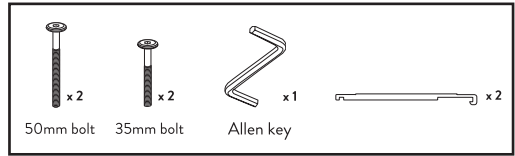
- **STAY** in arm's reach of your child.

**SUFFOCATION HAZARD:** Babies have suffocated while sleeping on changing pads. Changing pads are not designed for safe sleeping.

- **NEVER** allow baby to sleep on changing pad.
- **ALWAYS** secure this pad to the support surface by (manufacturer's instructions for securing changing pad). See instructions.

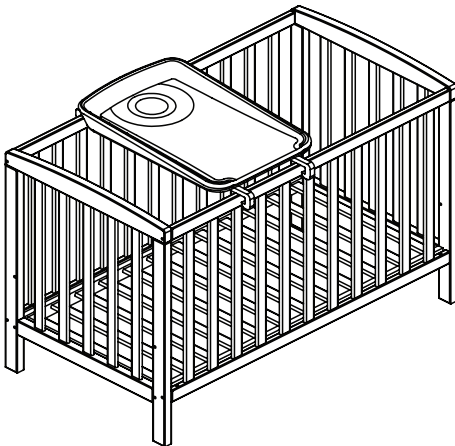
## STEP 1 - ASSEMBLY

Assemble hangers to the base of the CP100 (sold separately) using the 50mm ① and 35mm ② bolts provided



## STEP 2 - USE

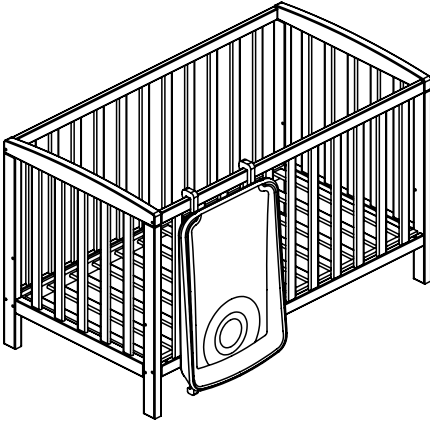
Place changer on top of compatible cot, always ensure the changer is sturdy before use. Refer to product safety warnings prior to using the changer.



**NOTE:** Self-adhesive protective foam strips are supplied with the Timber hangers, please ensure these are placed where the timber contacts the cot edges, failure to do so may cause cosmetic damage to the cot finish. Grottime does not warrant any damage by misuse of the product.

## STEP 3 - STORAGE

When not using the changer, the hangers enable the changer to be hung over the side of compatible cots.



**⚠ WARNING ⚠**

**NEVER** leave changer hanging on edge of cot when cot is in use.

## MAINTENANCE AND CARE

Check your changer regularly. Re-tighten all bolts. For customer care contact Grotime Australia or 1300 799 912; or New Zealand on +61 2 4728 8067.

Do not use abrasive or corrosive agents, or hard brushes for cleaning.

Clean the surface with a lightly dampened, lint free cloth and then wipe with a dry cloth

## WARRANTY DETAILS

Grotime warrants this product for twelve months from date of purchase against failure due to manufacturing faults or faulty materials. Misuse, accidental damages, normal wear and tear or defects are not covered by this warranty.

When used for commercial use the period is limited to six months. "Our goods come with guarantees that cannot be excluded under the Australian Consumer Law. You are entitled to a replacement or refund for a major failure and for compensation for any other reasonably foreseeable loss or damage. You are also entitled to have the goods repaired or replaced if the goods fail to be of acceptable quality and the failure does not amount to a major failure."

Refer to website for details: [www.grotime.com.au](http://www.grotime.com.au)