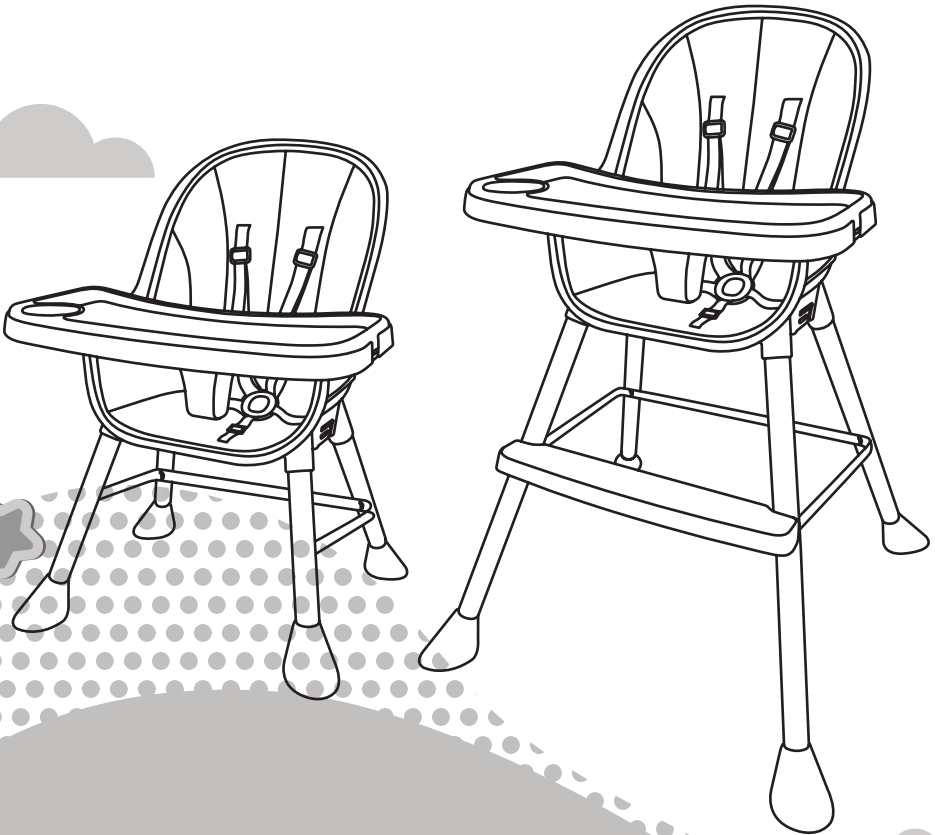


Bifa Group®  
**TikkTokk®**



# Little Boss

## High Chair



**Important!** Read carefully and keep for future reference  
Maximum occupant weight of 15kg

ISSUE: A

# What You'll Find In The Box!



**Seat \*1**



**Stool \*1**



**Place mat \*1**



**Lower plate \*1**



**Crotch \*1**



**Foot rest \*1**



**Safety belt \*1**



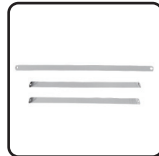
**Leather sheath \*1**



**Foot pad \*4**



**Wooden leg \*4**



**Link span \*3  
(long \*1: short \*2)**



**Safety lock \*2**

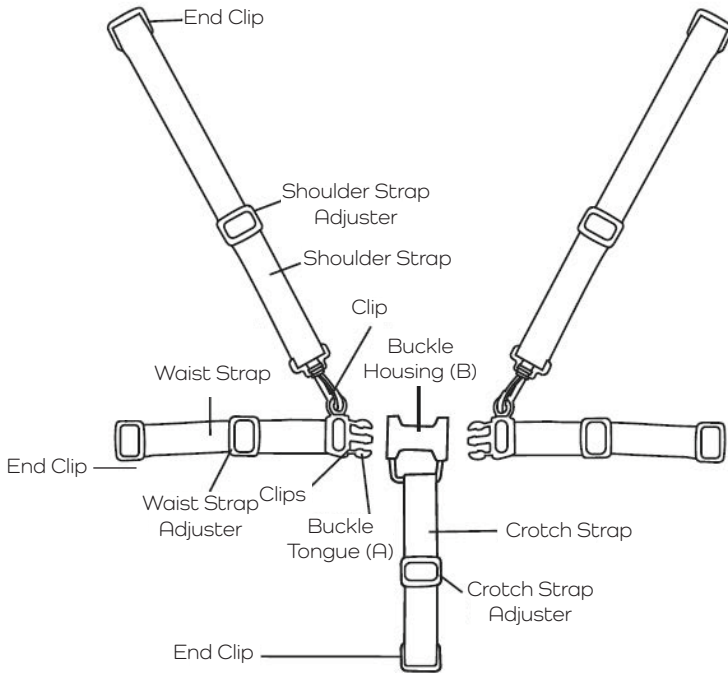


**Screwdriver \*1**



**Screw \*10**

# Buckle Use

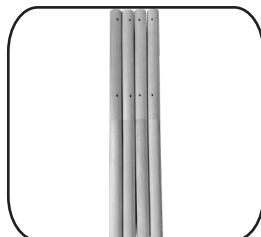


To secure your child in the harness push the buckle tongues (A) into buckle housing (B) and adjust with the waist strap adjuster so that the waist strap is firmly secured around the child. Adjust the crotch strap firmly using crotch strap adjuster. Place shoulder straps in position on buckle tongues (A) and adjust so that they are firm and comfortable on the child.

# Installation Method

## Step 1

Before installing the high chair, we first distinguish the installation sequence of the wooden legs. The front foot with two symmetrical holes in the middle of the wooden legs is used to install the foot pedal and connecting frame.



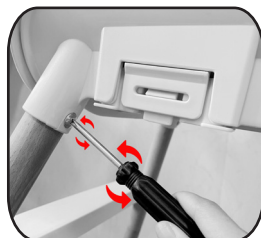
## Step 2

Install the connecting frame to the legs, fit the rear metal support first followed by the left & right supports. The foot support can then be installed.



## Step 3

Align the wooden legs with the plastic frame and tighten using the screws provided.



## Step 4

Place the plastic seat section onto the plastic base and lock in using the 2 x Safety Locks provided



# Installation Method

## Step 5

Screw the 4 x foot pads onto each leg ensuring that the pads are rotated to ensure that they are flush with the floor.



## Step 6

Place the highchair cover over the shell, ensuring the buckle is threaded through the hole provided.



## Step 7

Slide the highchair tray onto the seat shell by pressing both the left and right buttons on the underside of the tray simultaneously.



## High Chair to Low Chair

Remove the lower section of the timber legs to convert to low chair mode.



# Cleaning & Maintenance Recommendations

Please regularly check the fastening of screws, nuts and other parts of the high chair. The connecting frame and foot pedal play a role in strengthening stability and cannot be easily removed to avoid danger to children.



In order to prolong the service life of the high chair, use warm water or a small amount of cleaning agent, wipe the surface with a wet cloth, and do not use corrosive cleaners to avoid damaging the high chair. Please put the high chair in a ventilated place to avoid direct sunlight.

# WARNINGS

- Follow the manufacturer's instructions.
- Do not leave children unattended.
- The harness must always be used and correctly fitted - most injuries from high chairs are caused by falls.
- Position the high chair away from solid structures and benches to avoid injuries caused by falls and by access to dangerous items.
- Use high chair on a flat, even and horizontal floor.
- Do not elevate the high chair on any structure or table.
- To be assembled by a competent adult only.
- Keep children away from product during assembly.
- Check over the high chair before placing child into high chair.
- The weight of the child using this product is not to exceed 15kg.
- Always keep your child in view whilst using the high chair,
- Do not allow children to stand on the product.
- Use on a flat, even and horizontal floor and never use near stairs.
- Do not elevate the high chair on any structure or table.
- Never carry the high chair with the child in it.
- Do not use the high chair without the tray and always ensure the tray is secure on the armrests. The tray is not designed to hold the child in the high chair.
- When making adjustments to the high chair, ensure that your child's body, fingers and toes are clear of any moving parts on the high chair.
- Position the high chair away from furniture, walls, hot surfaces and liquids, window covering cords and electrical cord. Position the high chair away from furniture when the high chair is not being used at a table with tray removed.
- The child must not be in the high chair when selecting the height adjustment.
- Do not sit the child in the lowest position. This position is to be used only when folding
- If any component of the high chair is not working as intended and/or a component is missing/broken, stop using this product immediately and contact Infa Group for immediate repair/advice.
- The highchair should only be used in an upright position once the child is capable of reliably and consistently sitting upright.



## WARNINGS

FOLLOW THE MANUFACTURER'S INSTRUCTIONS.  
DO NOT LEAVE CHILDREN UNATTENDED.

THE HARNESS MUST ALWAYS BE USED AND CORRECTLY FITTED -  
MOST INJURIES FROM HIGH CHAIRS ARE CAUSED BY FALLS.

POSITION THE HIGH CHAIR AWAY FROM SOLID STRUCTURES AND  
BENCHES TO AVOID INJURIES CAUSED BY FALLS AND BY ACCESS

Position the high chair away from solid structures and benches to avoid  
injuries caused by falls and access to dangerous items.



### Head Office

110-114 Old Bathurst Rd,  
Emu Plains 2750, NSW Australia  
P.O Box 487, Emu Plains 2750,  
NSW Australia

### Customer Care

AU 1300 92 4632  
NZ 067 5090 870  
customercare@infagroup.com.au

 [infagroup.com.au](http://infagroup.com.au)  [instagram.com/infagroup\\_](https://www.instagram.com/infagroup_)  
 [tiktok.com/@infagroup](https://www.tiktok.com/@infagroup)  [facebook.com/infagroupau](https://www.facebook.com/infagroupau)

