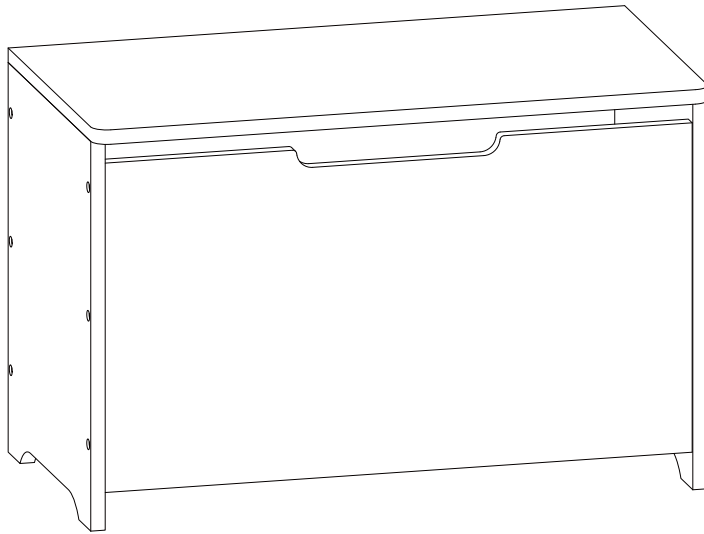




# SERENITY TOY BOX

## 34001



Follow all manufacturer's assembly instructions carefully to ensure the safety features to the chest are not compromised.

### Grottime

110-114 Old Bathurst Rd,  
Emu Plains, NSW 2750

P.O. Box 487, Emu Plains,  
NSW 2750

### Customer Care

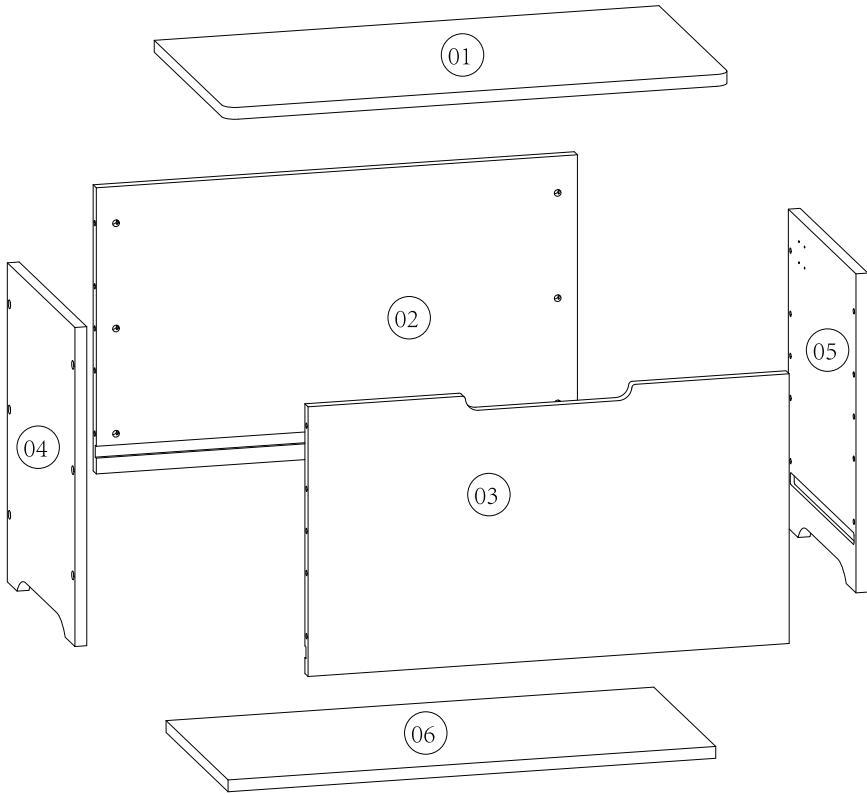
**Email:** [customercare@infa.com.au](mailto:customercare@infa.com.au)

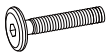






AUSTRALIA  
1300 92 4632

[www.grottime.com.au](http://www.grottime.com.au)

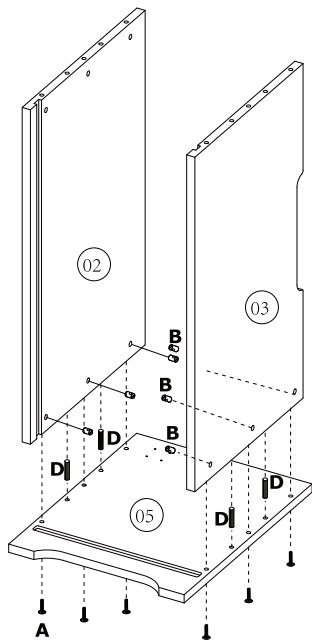
NEW ZEALAND  
067 590 870

[www.grottime.co.nz](http://www.grottime.co.nz)

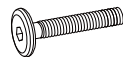


<b>A</b> M6*50=12pcs 	<b>C</b> M3.5*16=19pcs 	<b>E</b> 2 pcs 		
<b>B</b> 12 pcs 	<b>D</b> 8 pcs 	<b>F</b> 1 pcs 	<b>G</b> 1 pcs 	

**01**



A M6\*50=6pcs



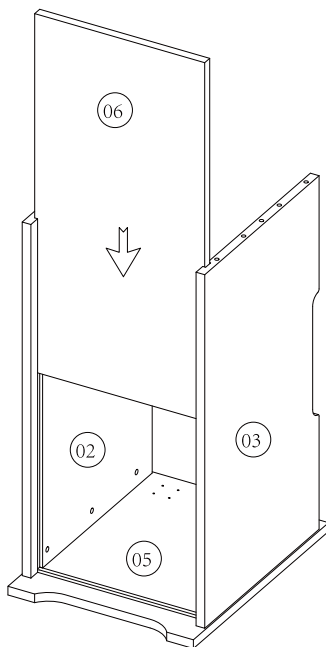
B 6 pcs



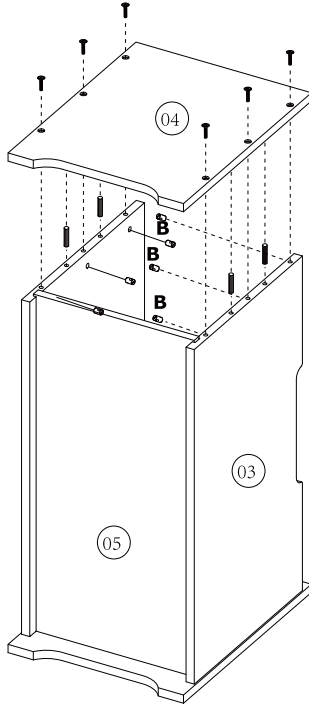
D 4 pcs



**02**



**03**



A M6\*50=6pcs



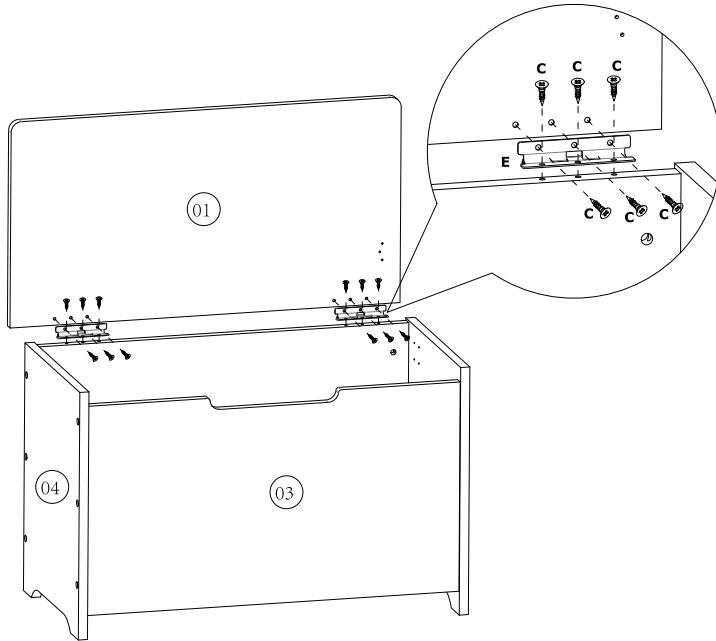
B 6 pcs



D 4 pcs



**04**



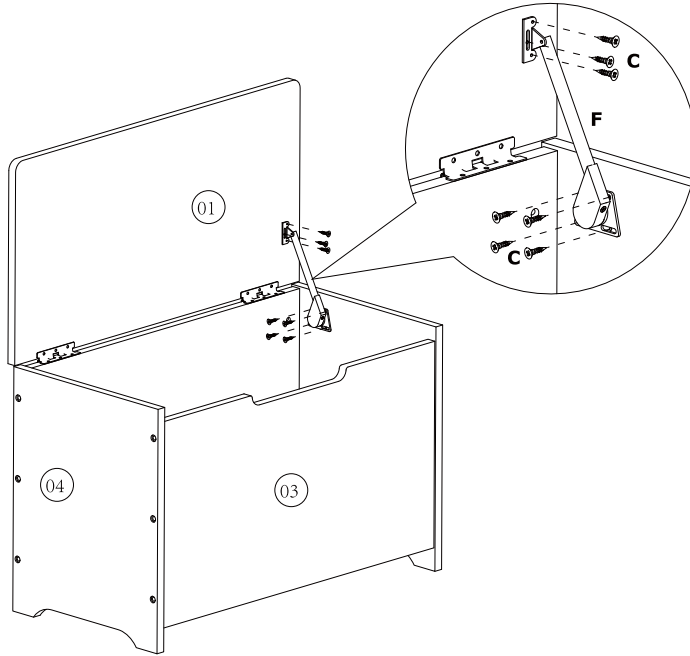
C M3.5\*16=12pcs



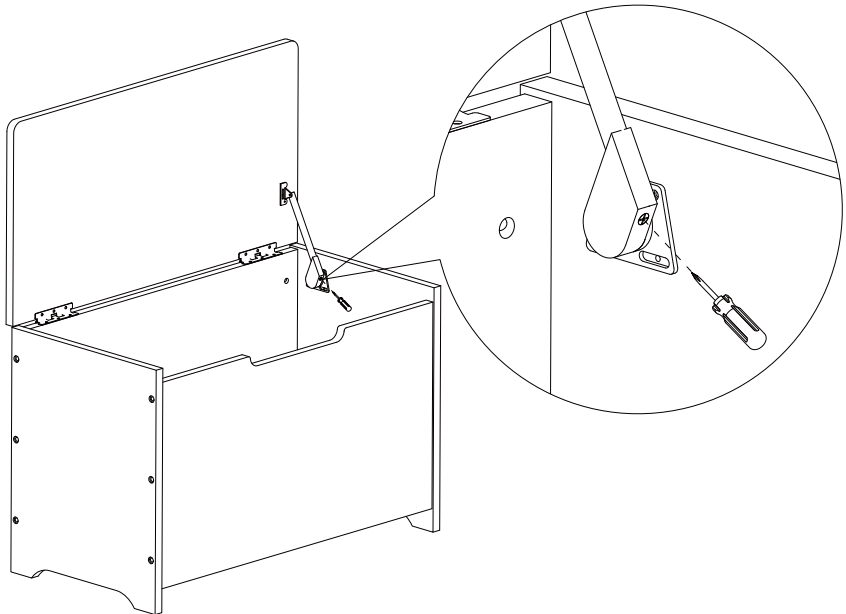
E 2 pcs



**05**



**06**



**Strength adjustment:**

Turn screw clockwise to increase the closing pressure  
Turn screw anticlockwise to decrease the closing pressure

## WARRANTY

Infa Group Pty Ltd warrants this product for 3 years from the date of purchase against failure due to manufacturing faults or faulty materials. Misuse, accidental damages, normal wear and tear are not covered by this warranty.

When used for commercial use this period is limited to six months. “Our goods come with guarantees that cannot be excluded under the Australian Consumer Law. You are entitled to a replacement or refund of a major failure or for compensation for any other foreseeable loss or damage. You are entitled to have the goods repaired or replaced if the goods fail to be of acceptable quality and the failure does not amount to a major failure”.

## STORAGE:

To store your **34001**, please reverse assembly steps. Ensure all components are kept together along with Instruction manual for future use.

## KEEP BOOKLET FOR FUTURE REFERENCE

READ ALL INSTRUCTIONS CAREFULLY BEFORE USE OF THIS CHANGE TABLE.  
ALWAYS FOLLOW THE INSTRUCTIONS. THE CORRECT USE AND  
MAINTENANCE OF THIS PRODUCT IS ESSENTIAL.

THIS PRODUCT IS NOT INTENDED FOR COMMERCIAL USE.

INFA GROUP PTY LTD  
ABN: 52 149 173 660  
110 -114 Old Bathurst Rd,  
Emu Plains, NSW 2750

CUSTOMER CARE  
AU: 1300 92 4632  
NZ: 067 590 870  
Email: [customercare@infa.com.au](mailto:customercare@infa.com.au)

MADE IN CHINA  
MODEL NO: 34001  
ISSUE B