

Grotime®

Bella

35101



Two adults are required to assemble this change table



Follow all manufacturer's assembly instructions carefully to ensure the safety features of the change table are not compromised

Grotime

110-114 Old Bathurst Rd,
Emu Plains, NSW 2750

P.O. Box 487, Emu Plains,
NSW 2750

Customer Care

Email: customer care@infa.com.au

AUSTRALIA
1300 799 912
www.grotime.com.au

NEW ZEALAND
067 590 870
www.grotime.co.nz

SAFETY INSTRUCTIONS:

Before using this product, read these instructions in their entirety, for assistance contact Grotime customer care:

AU: 1300 92 4632

NZ: 067 590 870

NOTE: The illustrations displayed throughout this booklet are for demonstration only, product specifications are subject to change without notice.

CARE AND MAINTENANCE

Check your change table regularly. Re-tighten all bolts. For customers care contact Grotime Australia on 1300 92 4632; or New Zealand on 067 590 870

Do not use abrasive or corrosive agents, lint free cloth and then wipe with a dry cloth.

WARNINGS

WARNING

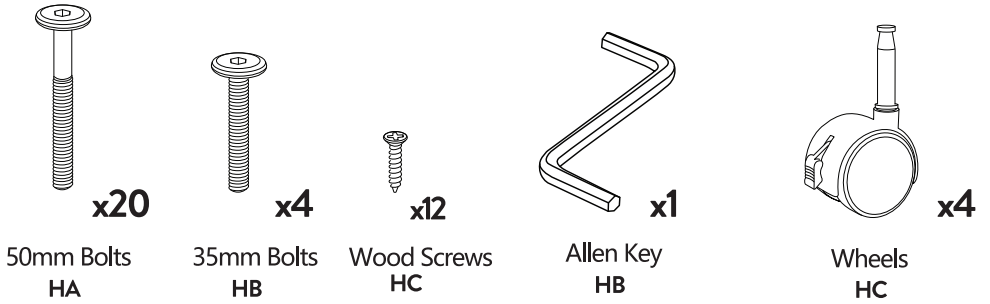
FALL HAZARD: Children have suffered serious injuries after falling from changing tables. Falls can happen quickly.

- **STAY in arm's reach of your child.**

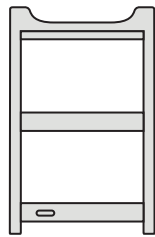
- Read all instructions before use of this product.
- Do not use product if it is damaged or broken.
- The baby's maximum weight for use of this product is 13.6kg.

- Never leave the child without supervision.
- Do not use this product if any part is broken, torn or missing.
- Keep small pieces away from children.
- FOLLOW THE MANUFACTURERS INSTRUCTIONS.
- DO NOT LEAVE CHILDREN UNATTENDED.
- THIS CHANGE TABLE MUST BE USED IN CONJUNCTION WITH A CONTOURED CHANGE PAD - SIZE: 490mm (W) x 790mm (L) x 40mm (D)
- RECOMMENDED CONTOURED CHANGE PAD SIZE:
 - Changing Surface: 490mm (W) x 790mm (L) x 40mm (D)
 - Recommended Change Pad:
 - CP10 (490mm x 790mm)
 - 35109 (490mm x 790mm)

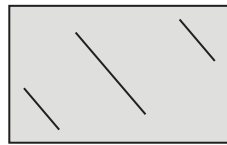
HARDWARE INVENTORY



PARTS LIST



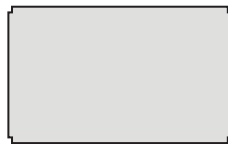
2 x End Panels
PA



1 x Change Pad
PB



1 x Bottom Shelf Plate
PC



1 x Top Shelf Plate
PE



1 x Middle Drawer Plate
PG



2 x Bottom Shelf Side Rails
PD



2 x Top Shelf Side Rails
PF



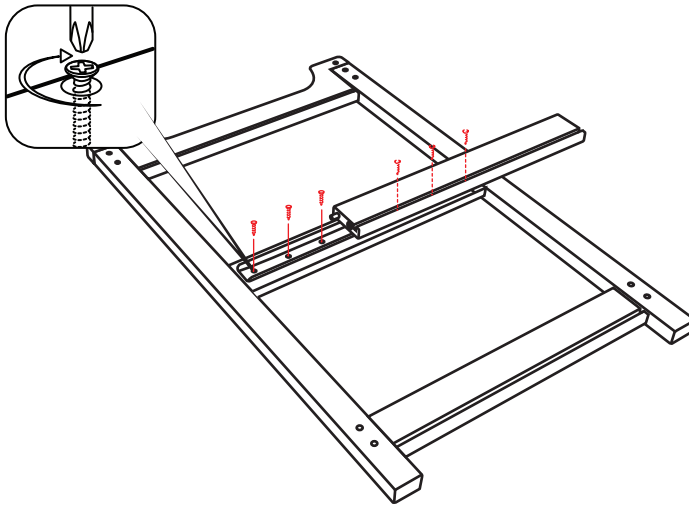
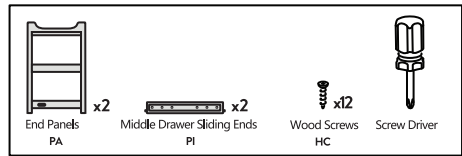
2 x Middle Drawer Side Rails
PH



2 x Middle Drawer Sliding Ends
PI

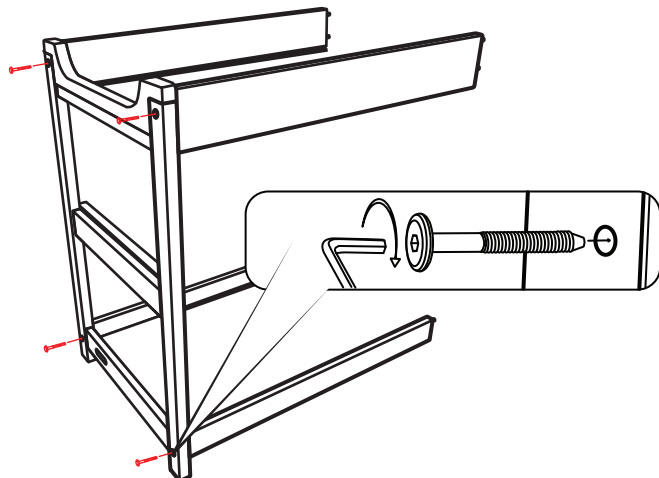
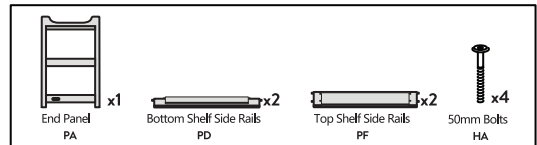
STEP 1

Attach middle drawer runners to the end panels using supplied wood screws.



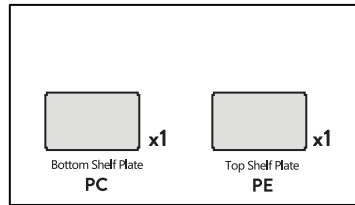
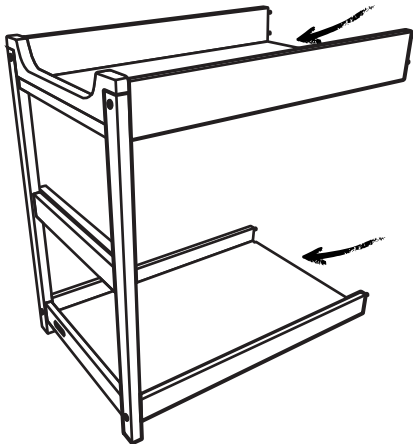
STEP 2

Attach Top & Bottom shelf side rails to end panel using 4 x 50mm bolts



STEP 3

Insert top and bottom shelf plates. Note: Ensure warning label is facing upwards on top shelf plate.

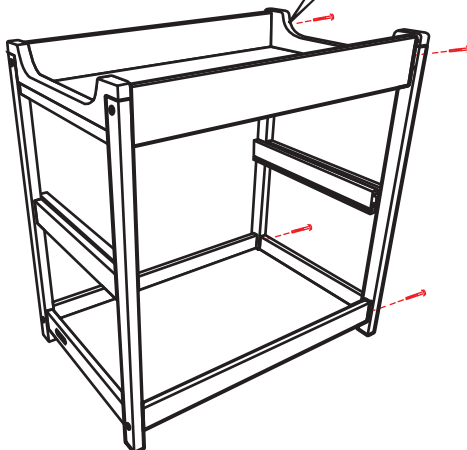
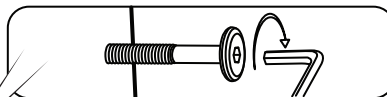
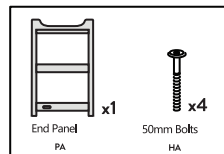


⚠ WARNING ⚠

BEFORE ASSEMBLING THE COT, ENSURE YOU HAVE A CLEAR AREA ON CARPET OR A THICK BLANKET OR RUG. NEVER ASSEMBLE ON A HARD SURFACE.

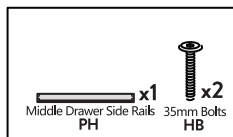
STEP 4

Attach second end panel using remaining 4 x 50mm bolts.



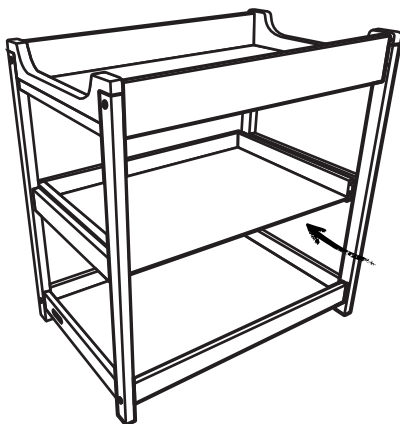
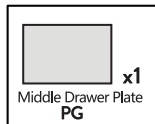
STEP 5

Assemble one of the middle drawer side rails using the 35mm bolts provided.



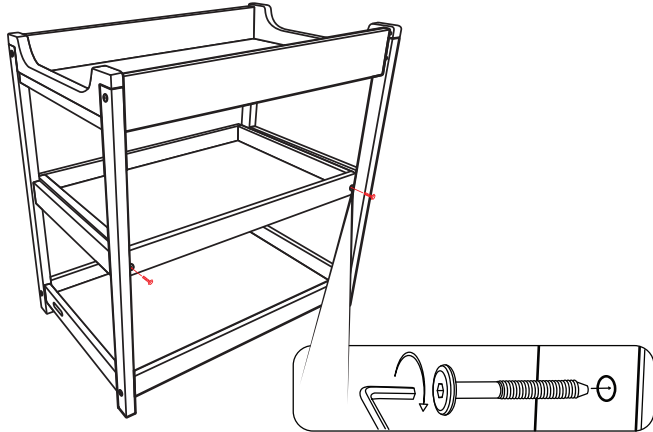
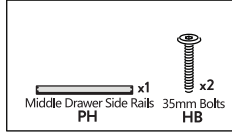
STEP 6

Insert middle drawer plate.



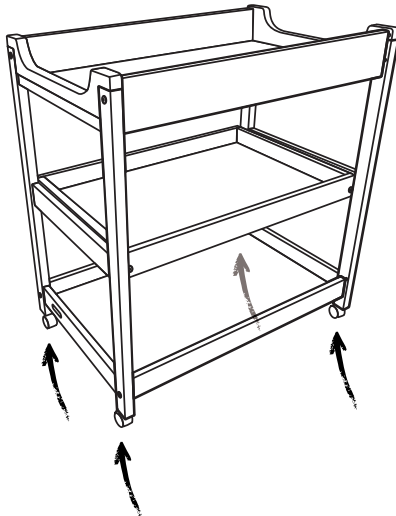
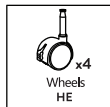
STEP 7

Assemble the second middle drawer side rail using 2 x 35mm bolts



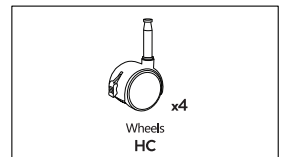
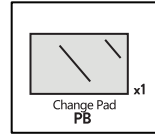
STEP 8

Attach wheels



STEP 9

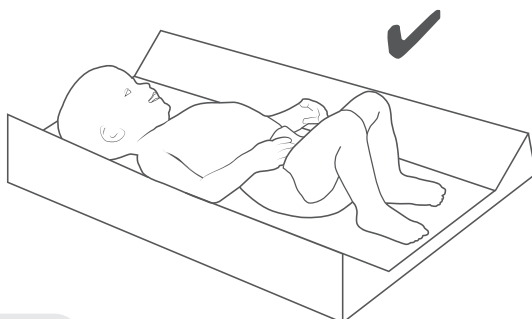
Place provided change pad on top shelf.



Your change table is now complete.

WARNING: Only place infant long ways on the change pad.

It is unsafe and not recommended to position the infant side ways.



WARRANTY

Infa Group Pty Ltd warrants this product for 12 months from the date of purchase against failure due to manufacturing faults or faulty materials. Misuse, accidental damages, normal wear and tear are not covered by this warranty.

When used for commercial use this period is limited to six months. “Our goods come with guarantees that cannot be excluded under the Australian Consumer Law. You are entitled to a replacement or refund of a major failure or for compensation for any other foreseeable loss or damage. You are entitled to have the goods repaired or replaced if the goods fail to be of acceptable quality and the failure does not amount to a major failure”.

STORAGE:

To store your 35101, please reverse assembly steps. Ensure all components are kept together along with Instruction manual for future use.

KEEP BOOKLET FOR FUTURE REFERENCE

READ ALL INSTRUCTIONS CAREFULLY BEFORE USE OF THIS CHANGE TABLE.
ALWAYS FOLLOW THE INSTRUCTIONS. THE CORRECT USE AND
MAINTENANCE OF THIS PRODUCT IS ESSENTIAL.

THIS PRODUCT IS NOT INTENDED FOR COMMERCIAL USE.

INFA GROUP PTY LTD
ABN: 52 149 173 660
110-114 Old Bathurst Rd,
Emu Plains, NSW 2750

CUSTOMER CARE
AU: 1300 92 4632
NZ: 067 590 870
Email: customer care@infa.com.au

MADE IN CHINA
MODEL NO: 35101
ISSUE B_1