

## Chest

MODEL 33137



Two adults are required to assemble this chest



Follow all manufacturer's assembly instructions carefully to ensure the safety features of the chest are not compromised

## INSTRUCTIONS/WARNINGS

IMPORTANT. RETAIN FOR FUTURE REFERENCE. READ CAREFULLY

## SAFETY INSTRUCTIONS:

Before using this product, read these instructions in their entirety, for assistance contact Grotime customer care:

AU: 1300 92 4632

NZ: 067 590 870

NOTE: The illustrations displayed throughout this booklet are for demonstration only, product specifications are subject to change without notice. Assemble product according to manufacturers instructions.

## CARE AND MAINTENANCE

Check your chest regularly. Retighten all bolts. For customers care contact Grotime Australia on 1300 92 4632; or New Zealand on 067 590 870

Do not use abrasive or corrosive agents, lint free cloth and then wipe with a dry cloth.

## STORAGE:

To store your Chest (33137), please reverse assembly steps. Ensure all components are kept together along with Instruction manual for future use.

**KEEP BOOKLET FOR FUTURE REFERENCE  
READ ALL INSTRUCTIONS CAREFULLY BEFORE USE OF THIS  
CHEST. ALWAYS FOLLOW THE INSTRUCTIONS. THE CORRECT USE  
AND MAINTENANCE OF THIS PRODUCT IS ESSENTIAL.**

**THIS PRODUCT IS NOT INTENDED FOR COMMERCIAL USE.**

## **WARNINGS**

It is **STRONGLY RECOMMENDED** that you **ANCHOR** this Product.

Toppling furniture can cause serious injuries and death.

This product has been fitted with an anchor strap. To prevent your furniture from tipping forward it is strongly recommended that you securely attach this product to a wall or other solid surface, using the anchor strap provided and appropriate fixings.

**FALL HAZARD:** Children have suffered serious injuries after falling from change tables. Falls can happen quickly.

- **STAY** in arm's reach of your child.
- **ALWAYS** secure this unit to the support surface by (manufacturer's instructions for securing the changing unit). See instructions.

**The recommended weight of the occupant placed on this changing table should not exceed 13.6kg.**

## **IMPORTANT:**

- Regularly check that anchors are securely maintained.
- Use safety drawer locks to prevent children climbing.
- **Stability of tall items may be affected by thick pile carpet or uneven floors.**
- Do not place unanchored televisions furniture.

## **CAUTION:**

- For your safety when attaching the anchor fixings, please note the following:
- Check for any electrical wires or plumbing inside the wall before drilling any holes (if you are unsure please seek professional advice from a qualified trades person)
- Walls are constructed from different materials, for example, masonry (solid brick) or plasterboard lined cavity walls (hollow). It is important that you use the appropriate wall fixings for your wall type.
- Your local hardware store will have the necessary drills and fixings and can offer advice if needed. If in doubt, engage the services of a qualified trades person to install and anchor the product.

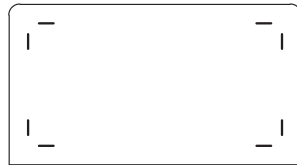
## CONTENTS:

Before using this product remove and check all components within the packaging for scratches or dents.

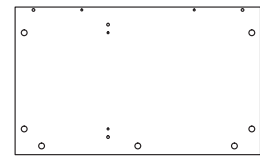
## PARTS INVENTORY (CHEST):



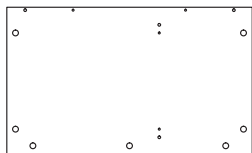
① Top Board  
x1



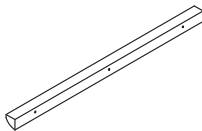
② Bottom Board  
x1



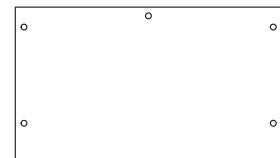
③ Side Board Left  
x1



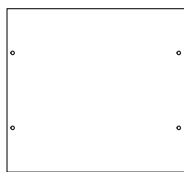
④ Side Board Right  
x1



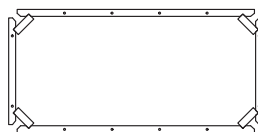
⑤ Side Board Slat  
x2



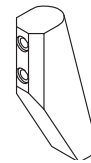
⑥ Centre Board  
x1



⑦ Back Board  
x1



⑧ Frame  
x1



⑨ Leg  
x4

## PARTS INVENTORY (DRAWER):



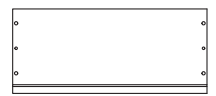
⑩ Top Drawer Front  
x1



⑪ Bottom Drawer Front  
x1



⑫ Side Board Right  
x2



⑬ Side Board Left  
x2



⑭ Back Board  
x2



⑮ Support Slat  
x4

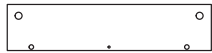


⑯ Bottom Board  
x2

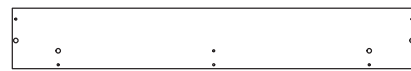
## CONTENTS:

Before using this product remove and check all components within the packaging for scratches or dents.

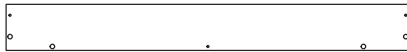
## PARTS INVENTORY (UPPER):



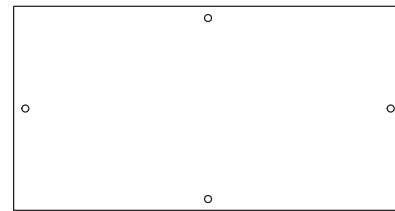
**17** Side Board  
x 2



**18** Back Board  
x 1



**19** Front Board  
x 1



**20** Bottom Board  
x 1

## HARDWARE INVENTORY:



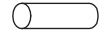
**A** Mini Fix  
x 31



**B** Quick Fix  
x 31



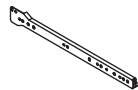
**C** Wood Dowel (8x30)  
x 16



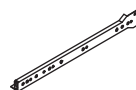
**D** Wood Dowel (8x25)  
x 12



**E** Wood Dowel (6x30)  
x 32



**F** Drawer Slide (Right)  
x 2



**G** Drawer Slide (Left)  
x 2



**H** 12mm Screw  
x 8



**I** 16mm Screw  
x 8



**J** 30mm Screw  
x 12



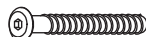
**K** Washer  
x 8



**L** Washer Spring  
x 8



**M** 40mm Screw  
x 8



**N** 60mm Bolt  
x 8



**O** Allen Wrench  
x 1



**P** 25mm Screw  
x 3

## ASSEMBLY

The improper assembly of this product can lead to serious injury of your child. Ensure that the 33137 is assembled as per these instructions.

### WARNING:

Please keep all packaging material away from the babies and children to prevent suffocation.

## DRAWER ASSEMBLY

**Step 1.** Unpack Contents.

**Step 2.** Assemble Top Drawer: Attach the Back Board (14) to the Top Drawer Front (10) by using the 2 x Support Slats (15) & 4 x Wood Dowel (E).

**Step 3.** Attach 1 x Drawer Slide (Right) (F) to Side Board Left (13) using 12mm Screw (H) x 2. Then screw side to assembly with 2 x 40mm Screw (M).

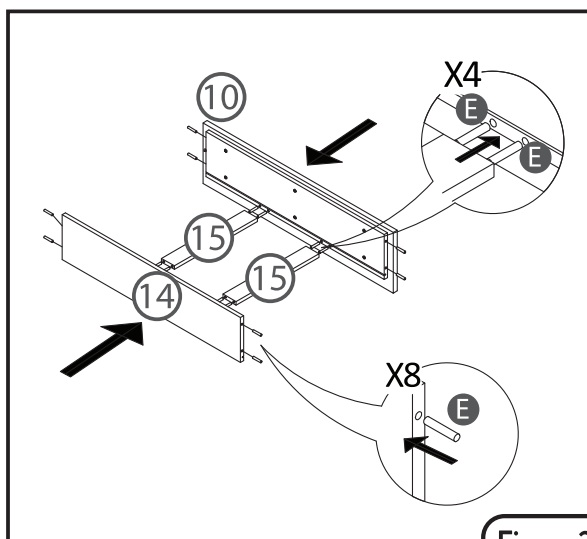


Figure 2A

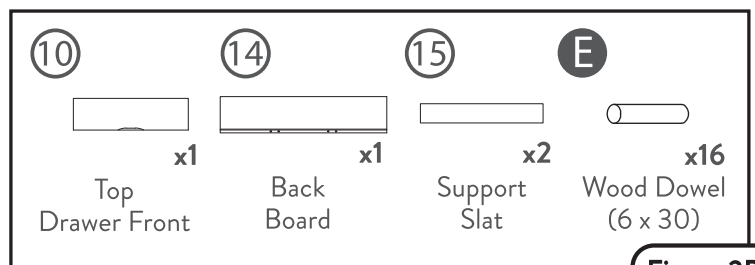


Figure 2B

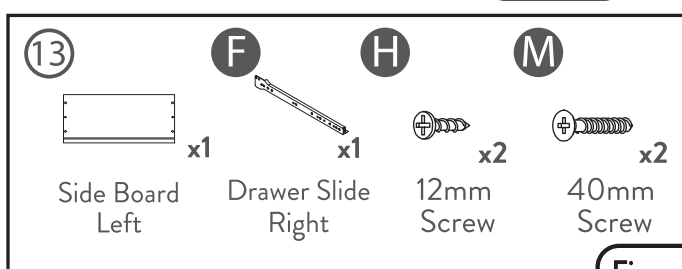


Figure 3B

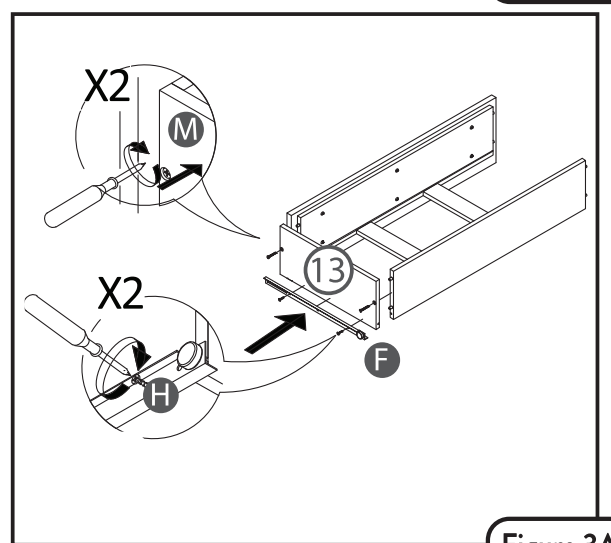
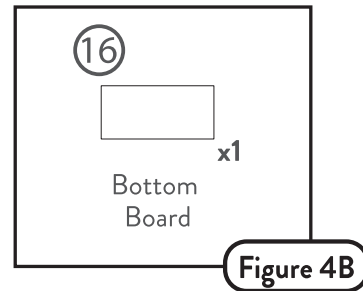
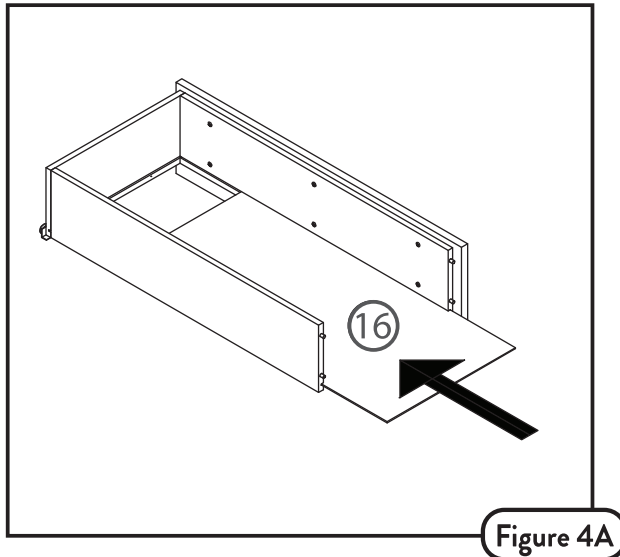


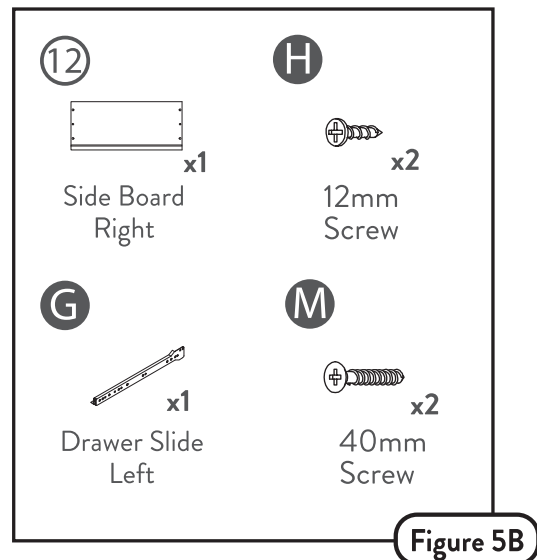
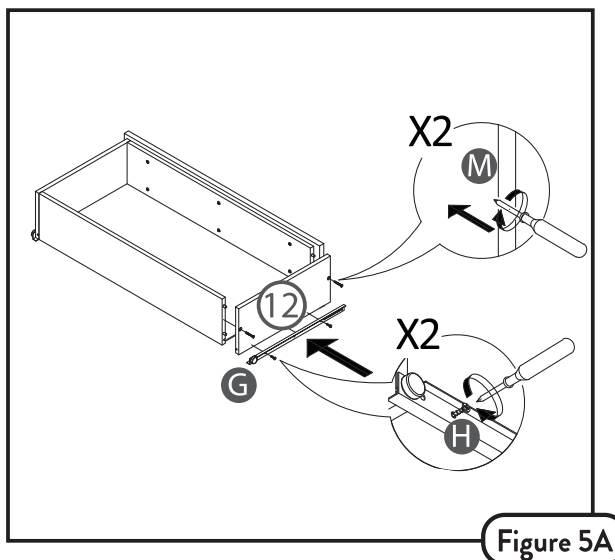
Figure 3A

## DRAWER ASSEMBLY

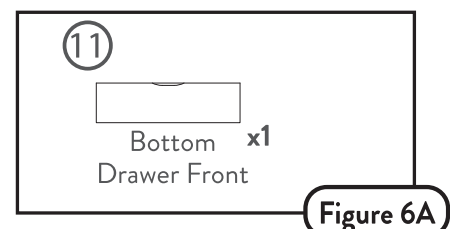
**Step 4.** Insert Bottom Board (16) between the Front and Back of the Drawers.



**Step 5.** Repeat Step 3 by using 1 x Side Board Right (12) for the final side of the Drawer.

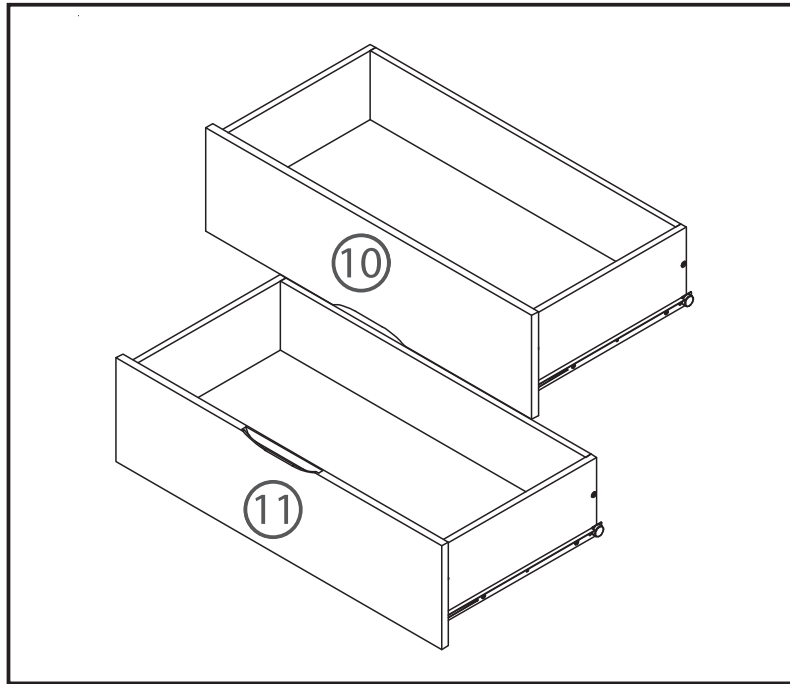


**Step 6.** Repeat Steps 1-5 for the bottom drawer, replace Top Drawer Front (10) with Bottom Drawer Front (11).



## DRAWER ASSEMBLY

Both Drawers should now be correctly set up see image below for reference.



## UPPER ASSEMBLY

**Step 7** Prepare both Side Boards (17) by inserting 1 x Mini Fix (A), 2 x Quick Fix (B) & 2 x Wood Dowel (8x25) (D) in each board.

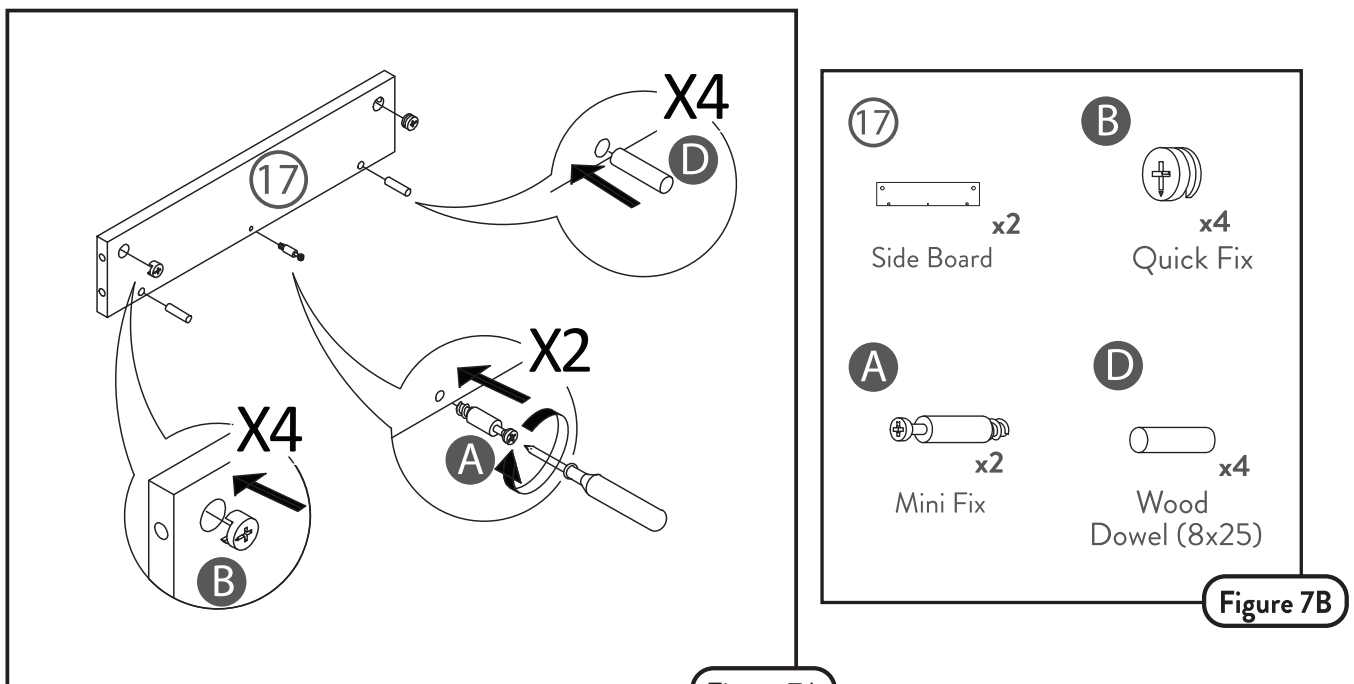


Figure 7B



## UPPER ASSEMBLY

**Step 8.** Prepare Front and Back Boards (18 & 19) by inserting 3 x Mini Fix (A), & 4 x Wood Dowel (8x25) (D) in each board.

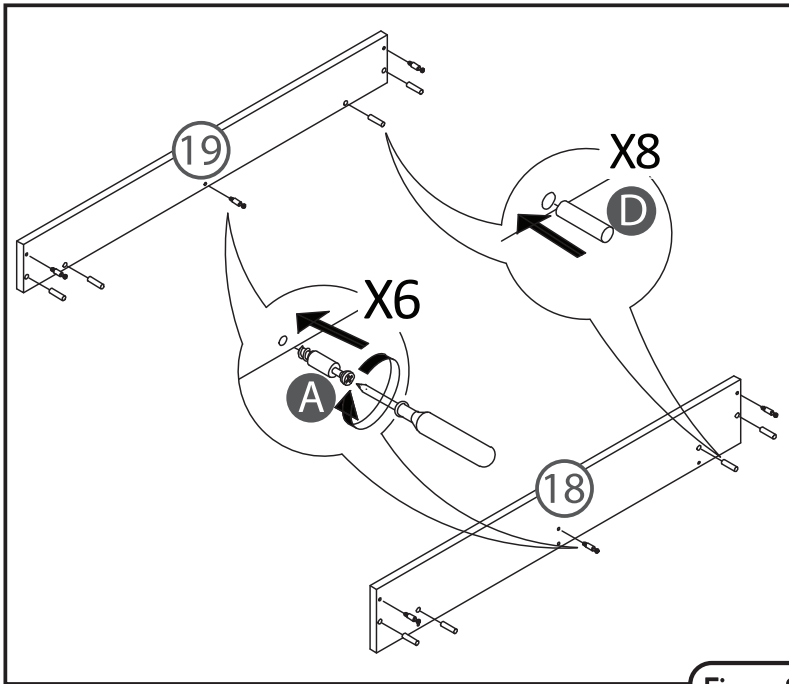


Figure 8A

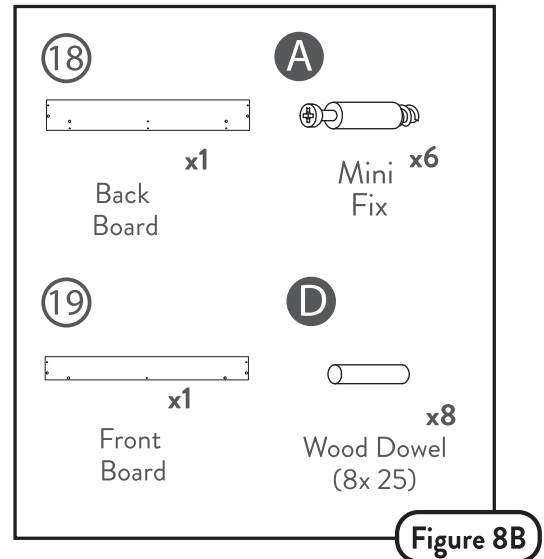


Figure 8B

**Step 9.** Attach Side Boards (17) to Bottom Board (20) by inserting 4 x Quick Fix (B) in the Bottom Board and connecting the 2 Side Boards with the appropriate slots.

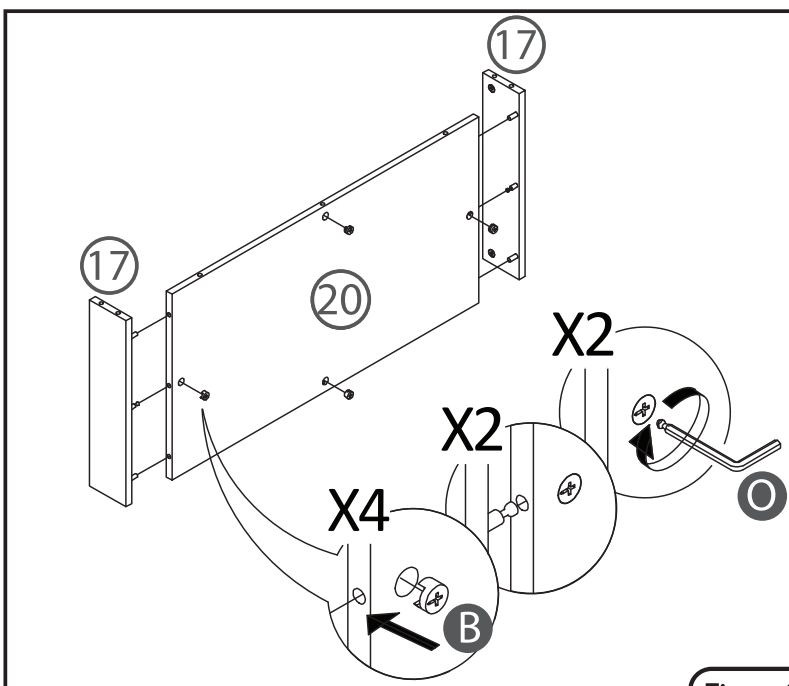


Figure 9A

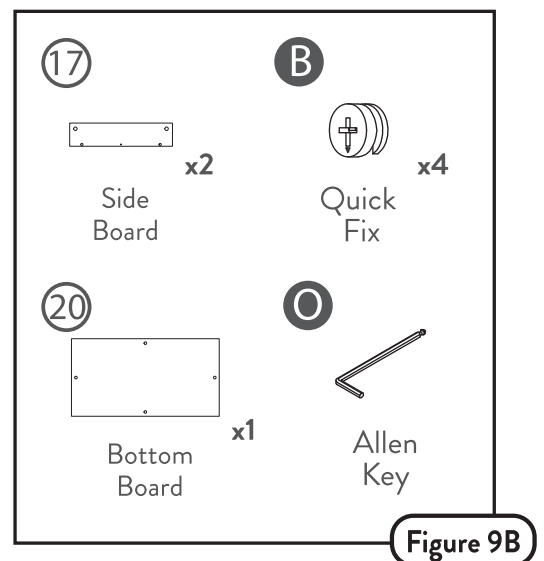


Figure 9B

## UPPER ASSEMBLY

**Step 10.** Attach the Back Board (18) we prepared in step 8 to the sides by aligning the fixings appropriately.

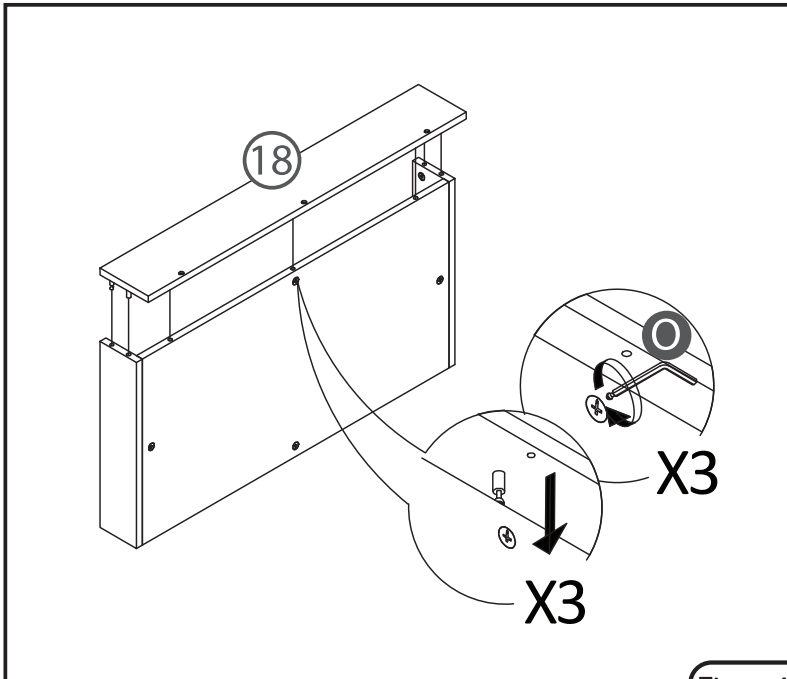


Figure 10A

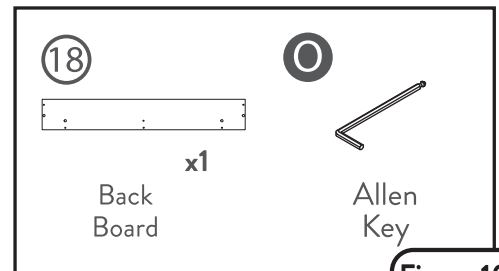


Figure 10B

**Step 11.** Attach the Front Board (19) we prepared in step 8 to the sides by aligning the fixings appropriately.

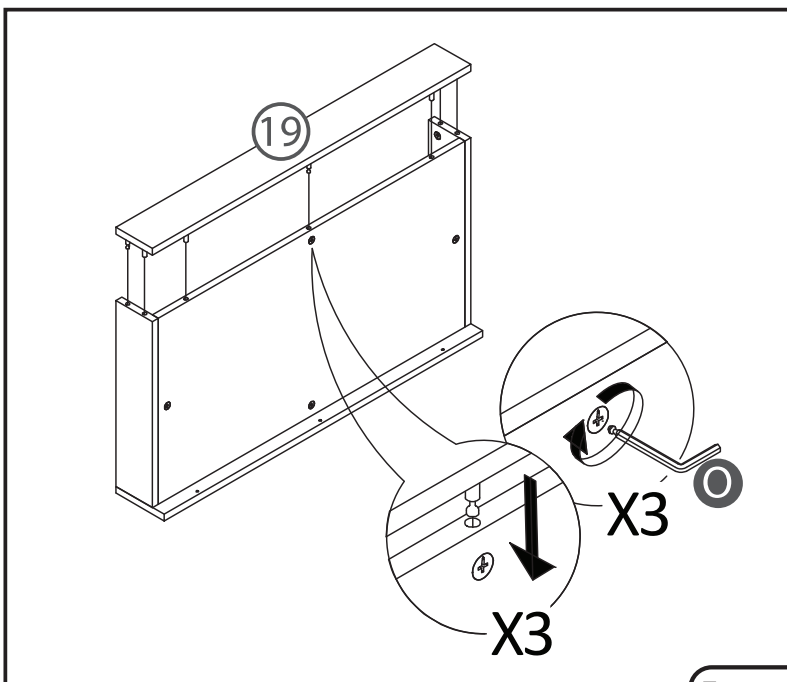


Figure 11A

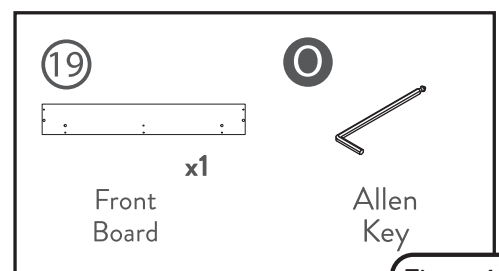
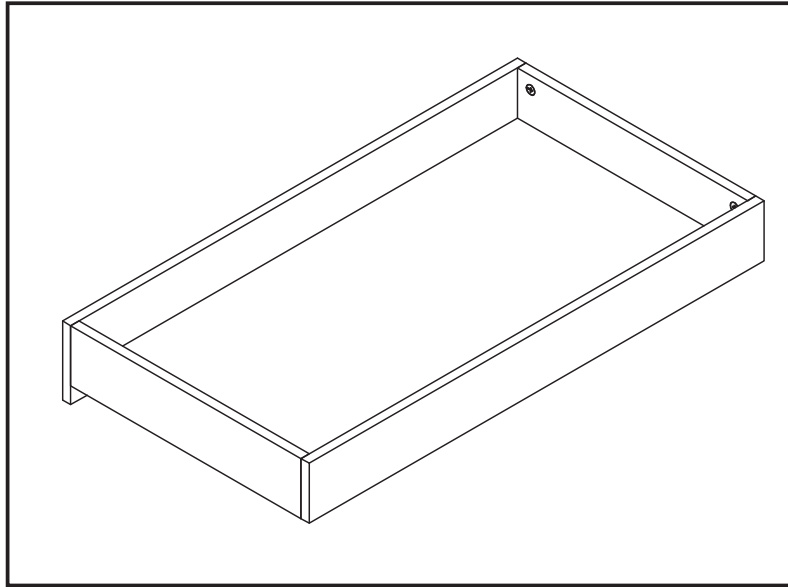


Figure 11B

## UPPER ASSEMBLY

The Upper Assembly is now complete



## CHEST ASSEMBLY

**Step 12.** Prepare each Side Board Slat (5) by inserting 3 x Mini Fix (A) in the appropriate holes.

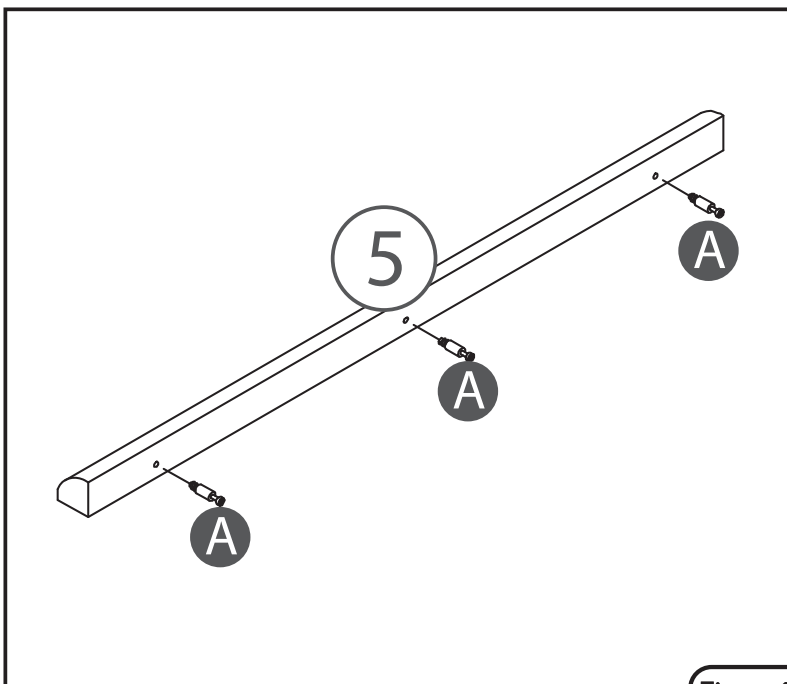


Figure 12A

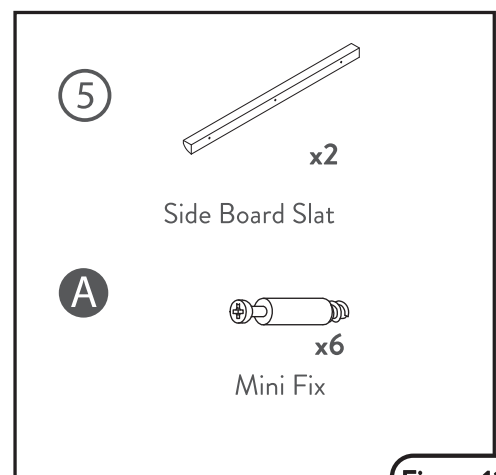


Figure 12B

## CHEST ASSEMBLY

**Step 13.** Prepare Side Board Slat (5) by inserting 4 x Mini Fix (A), 7 x Quick Fix (B) & 4 x Wood Dowel (8 x 30) (C) in each board.

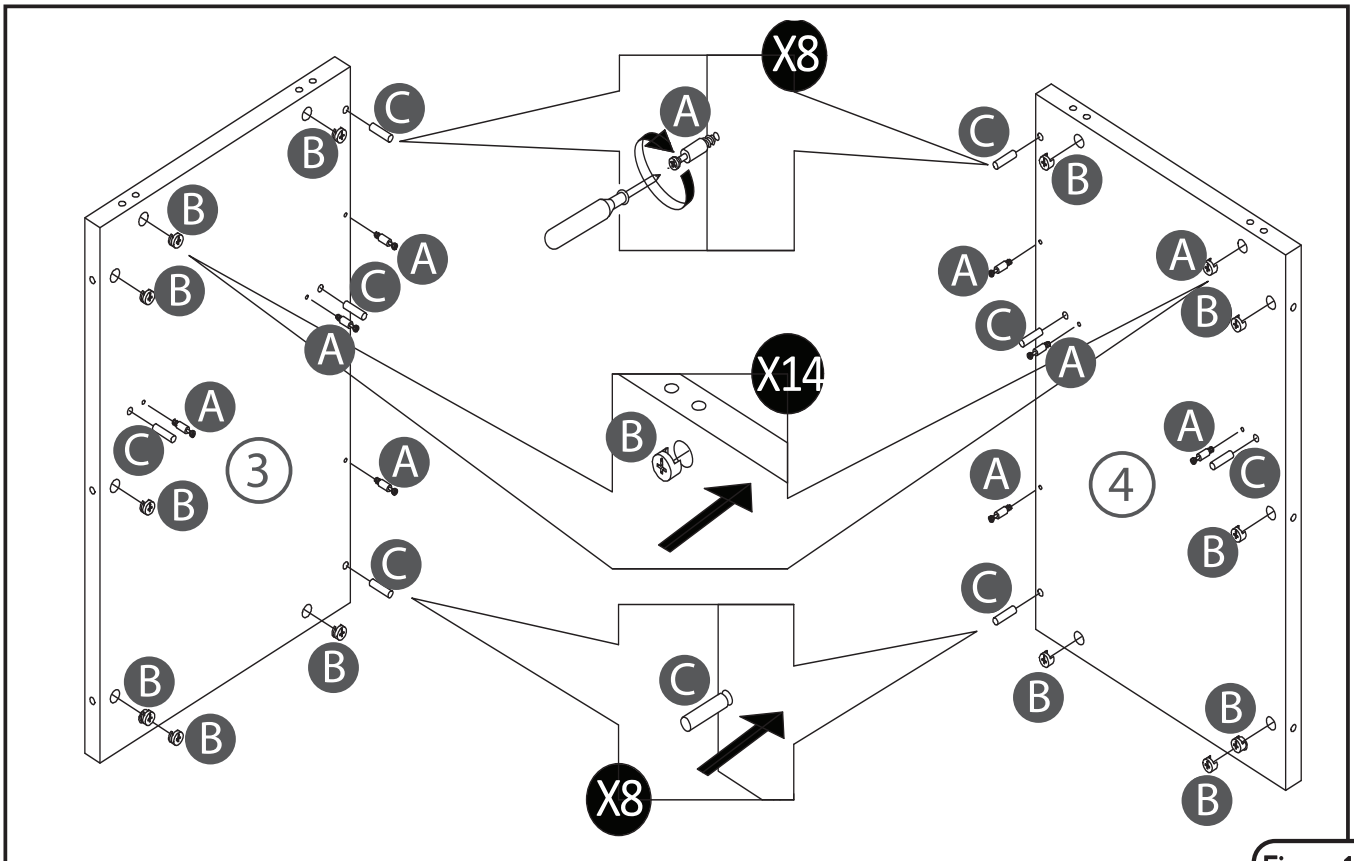


Figure 13A

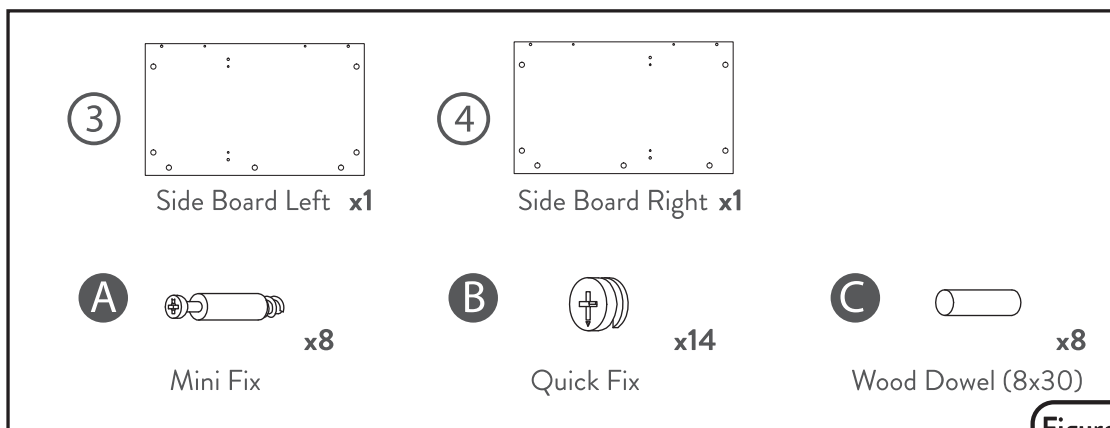


Figure 13B

## CHEST ASSEMBLY

**Step 14.** Prepare Top Board (1) by inserting 4 x Mini Fix (A) & 4 x Wood Dowel (8 x 30) (C) in the board.

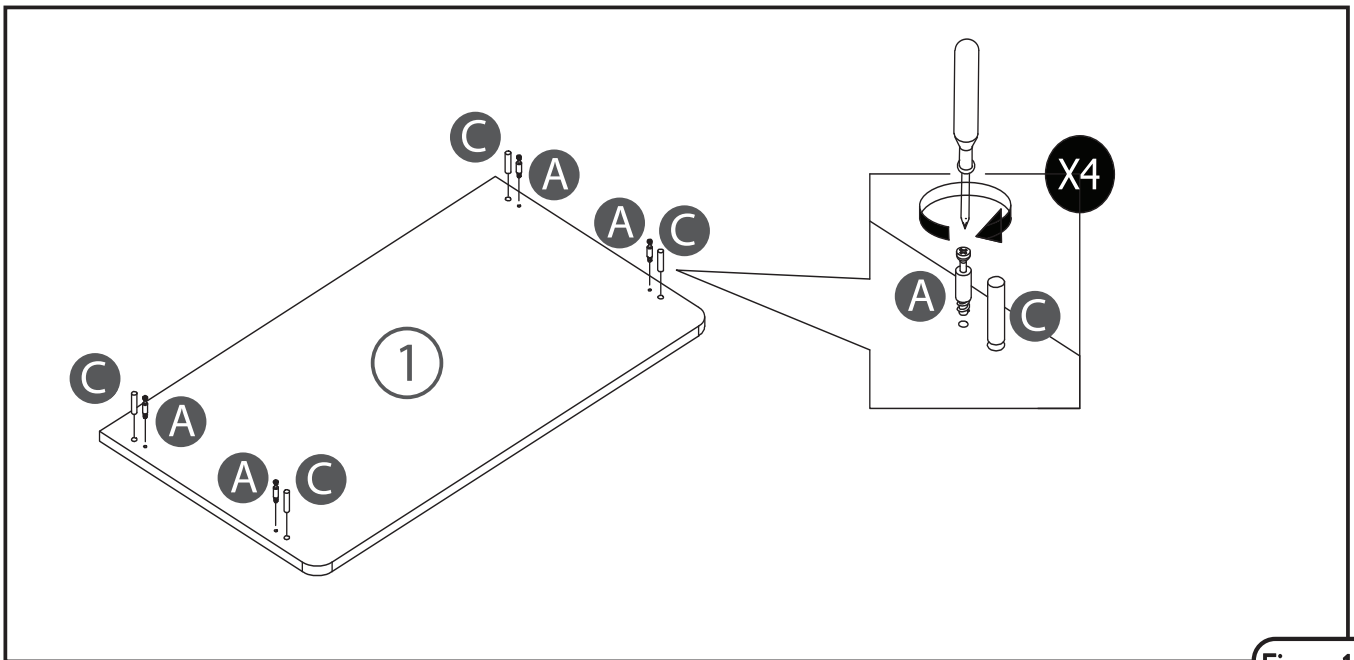


Figure 14A

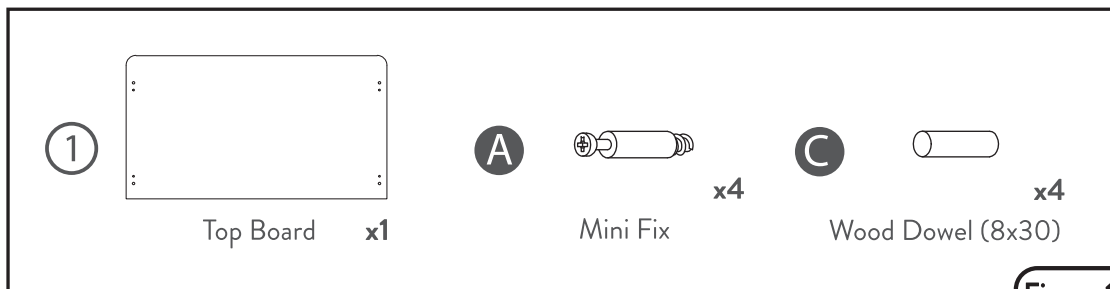


Figure 14B

## CHEST ASSEMBLY

**Step 15.** Attach 1 x Side Board Slats (5) to Side Board Left (3), these components were prepared in steps 12 & 13. Repeat this step for Side Board Right (4).

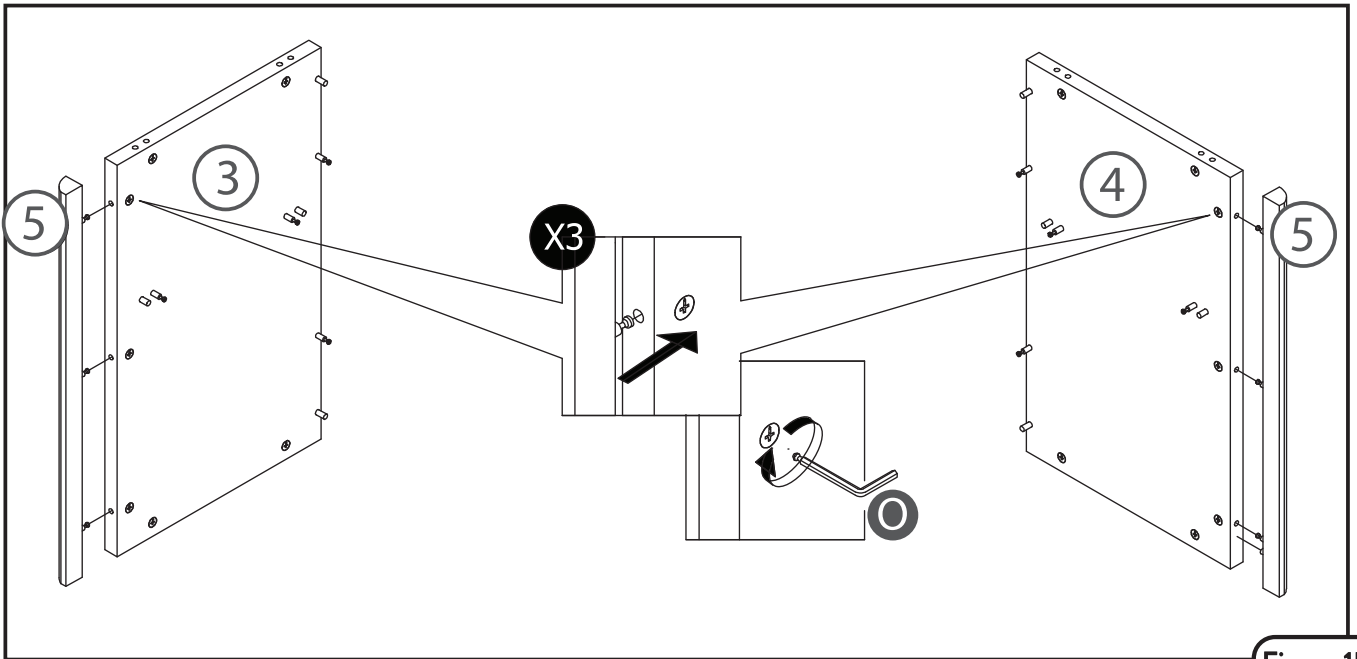


Figure 15A

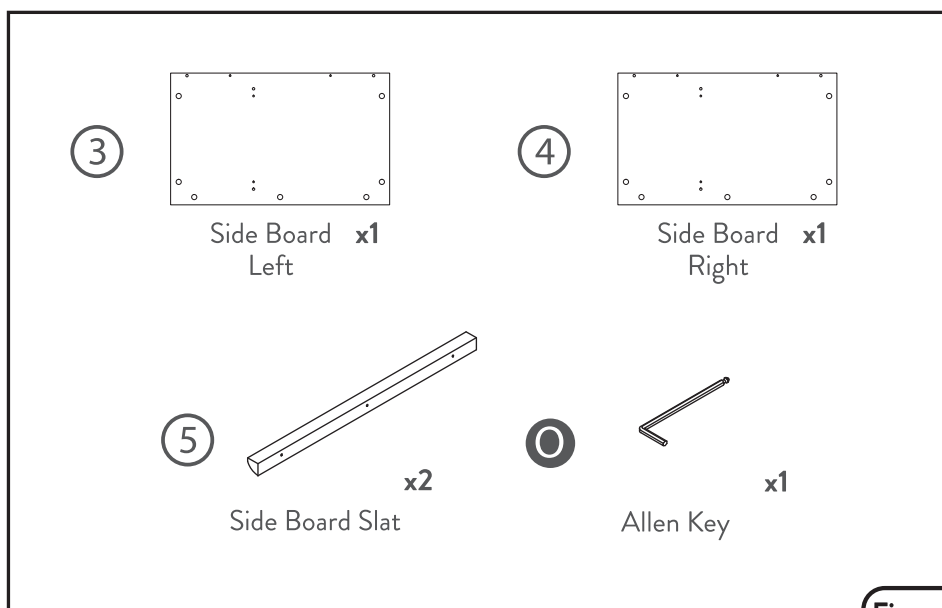


Figure 15B

## CHEST ASSEMBLY

**Step 16.** Attach 2 x Drawer Side Right (F) to the Side Board Right assembly from Step 15, by using 4 x 16mm Screws. Repeat this step with 2 x Drawer Slide Left with Side Board Left from step 15.

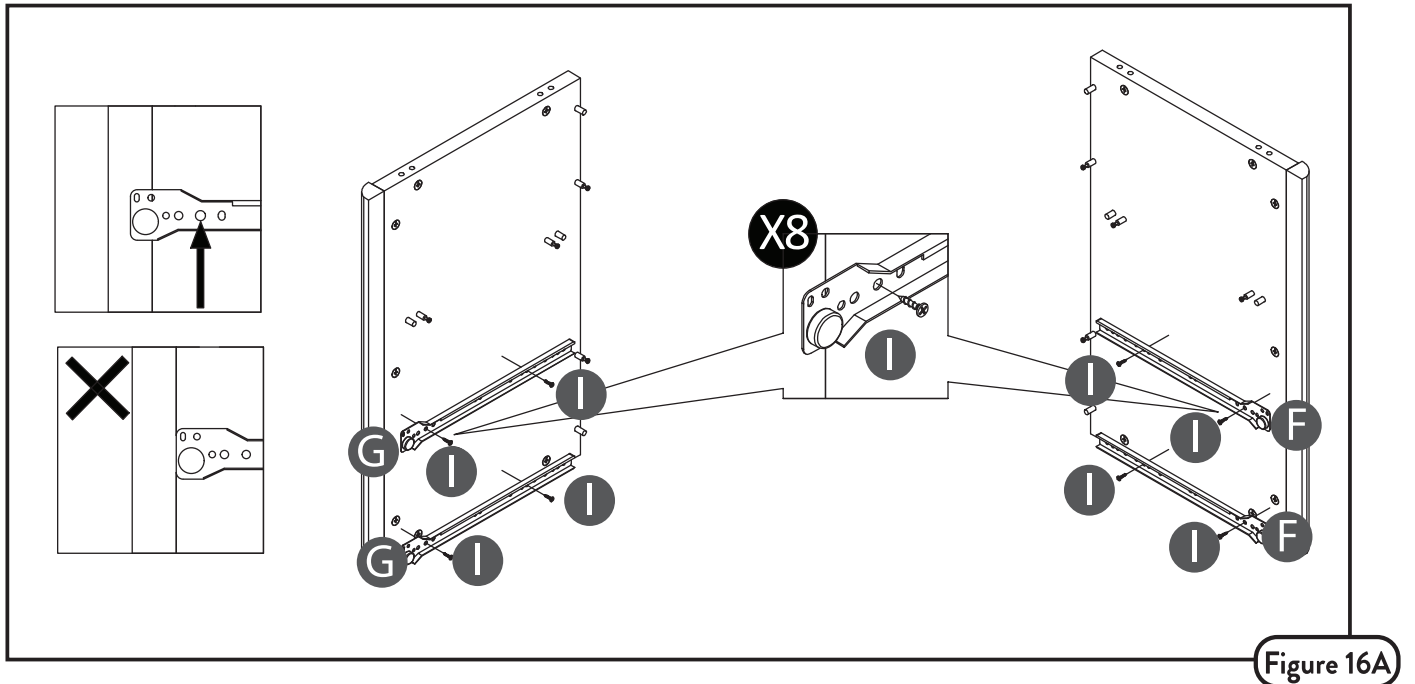


Figure 16A

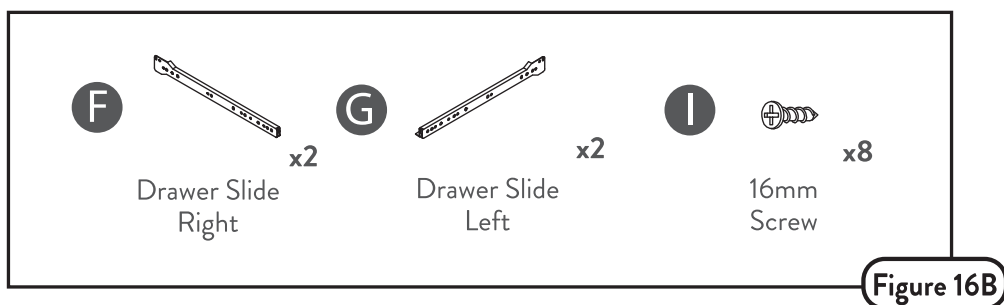


Figure 16B

## CHEST ASSEMBLY

**Step 17.** Insert 1 x Mini Fix (1) into Back Board (7). Then Insert 5 x Quick Fix into Centre Board (6). Once Fixings are in place connect the two components as seen below.

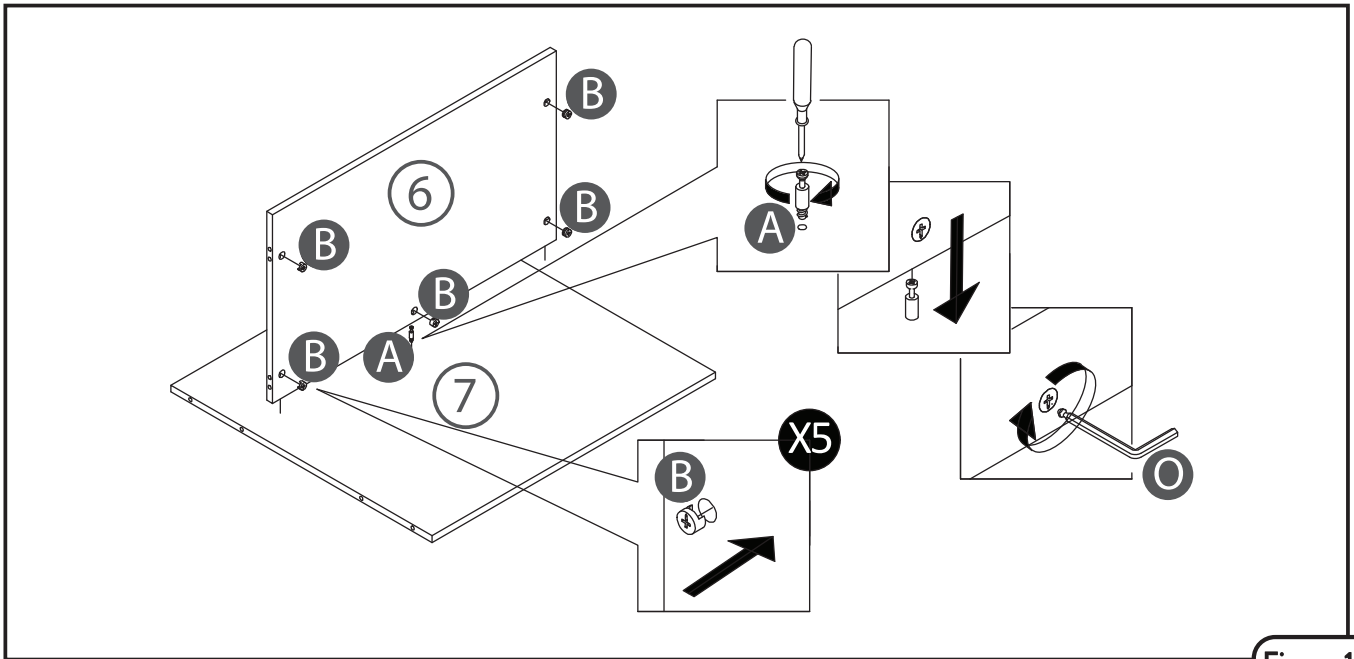


Figure 17A

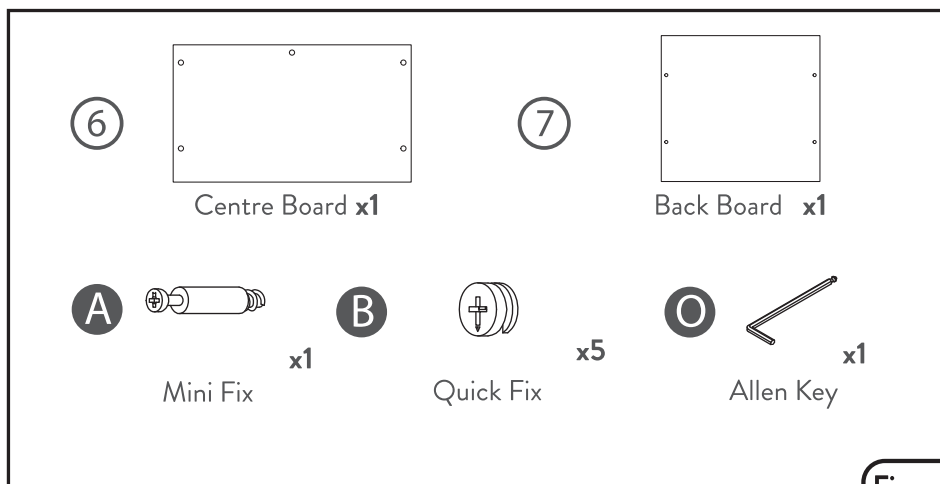


Figure 17B



## CHEST ASSEMBLY

**Step 18.** Attach the components from step 17 and step 16 by aligning all of the fasteners together as seen below. Tighten screws.

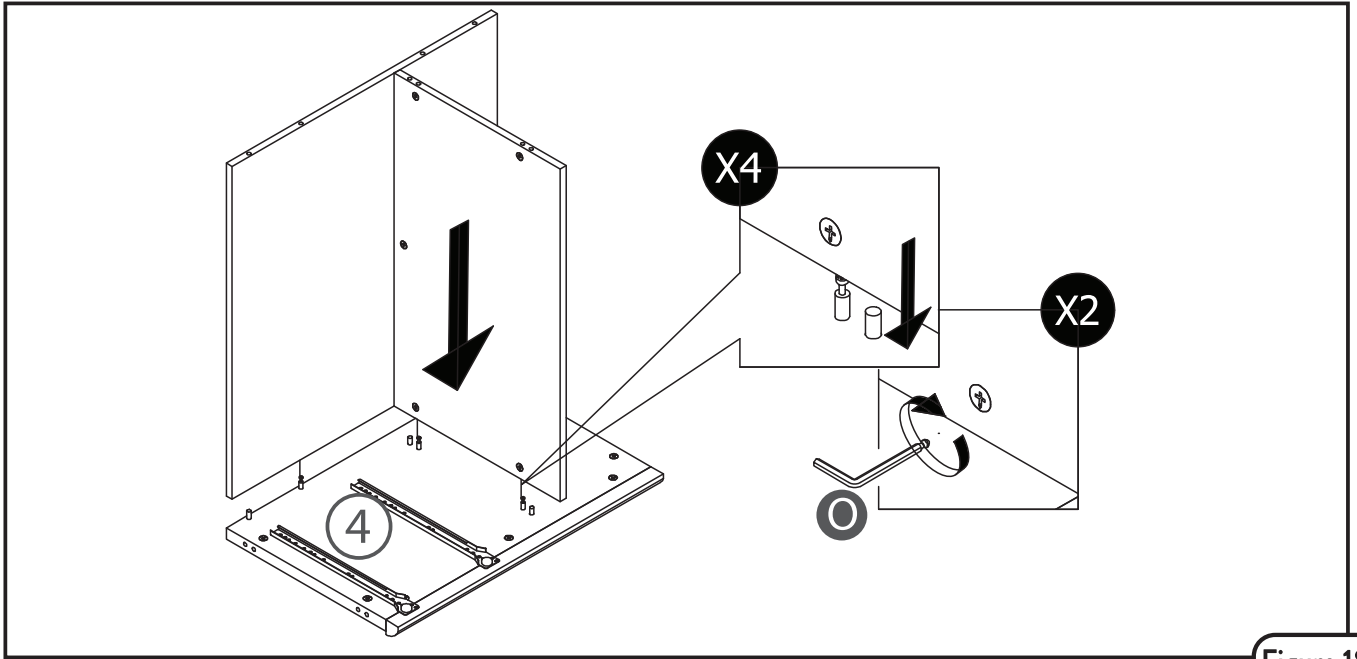


Figure 18A

**Step 19.** Repeat Step 18 but with the alternate side. Tighten screws.

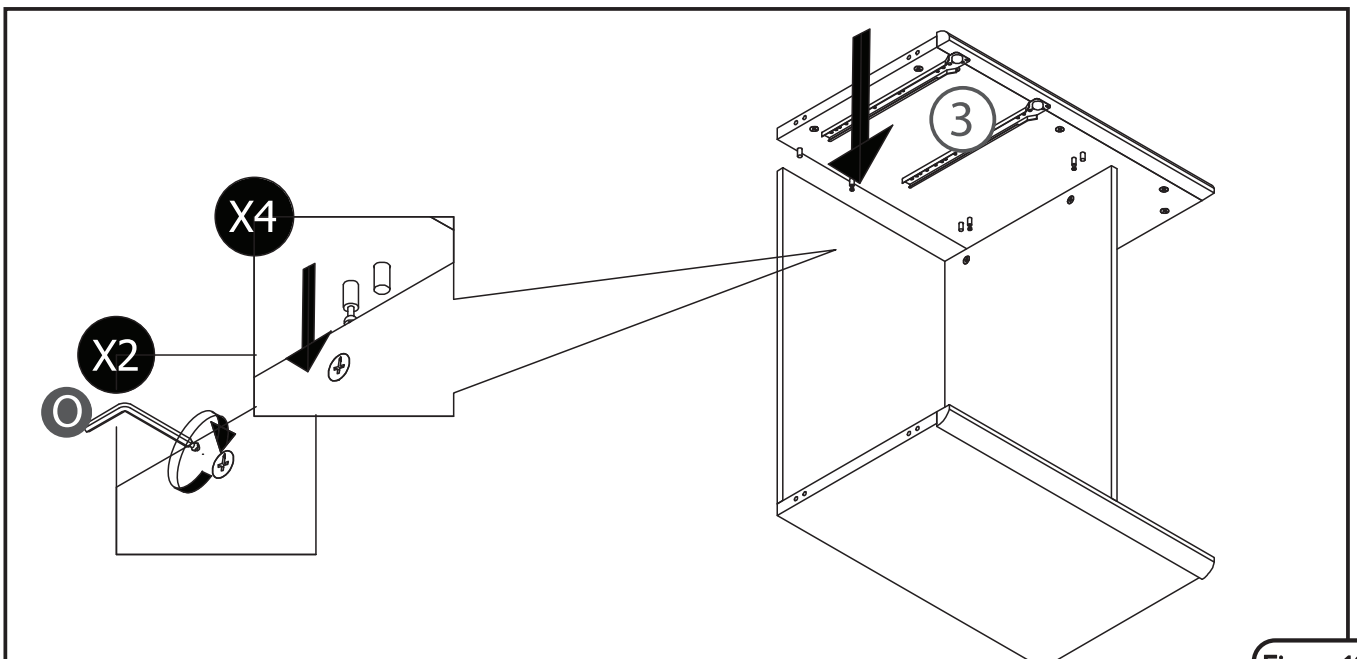


Figure 19A

## CHEST ASSEMBLY

**Step 20.** Also tighten screws on the Back Board.

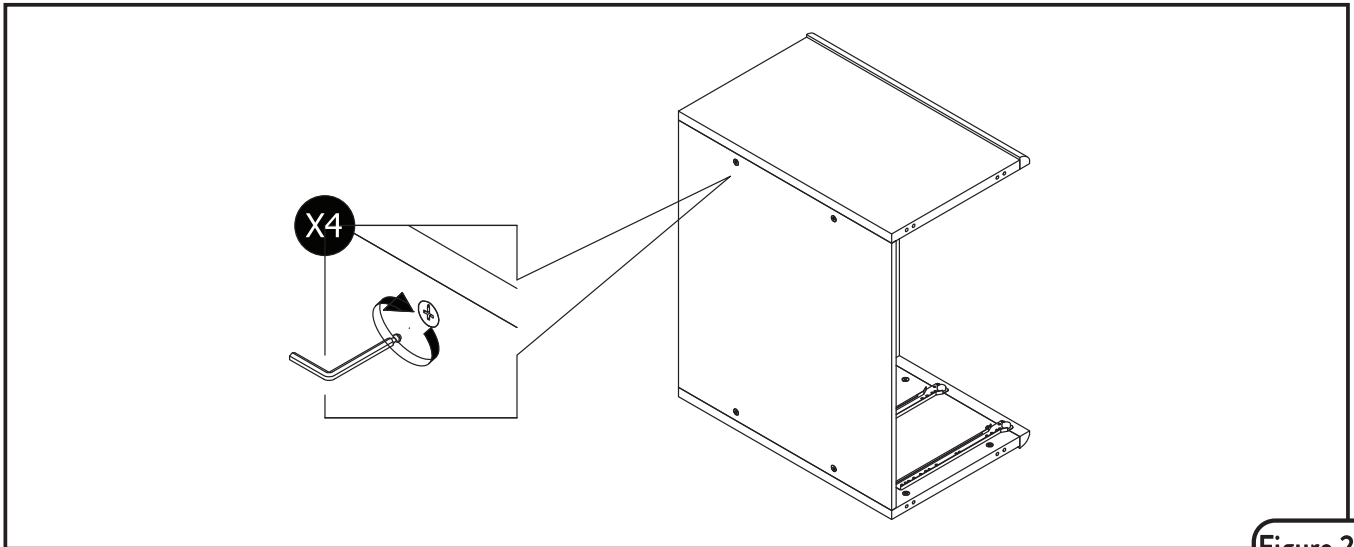


Figure 20A

**Step 21.** Assemble the lower frame. Attach 4 x Legs (9) to the Frame (8) by using 4 x 60mm Bolts (N), Washers (K) & Washer Springs (L).

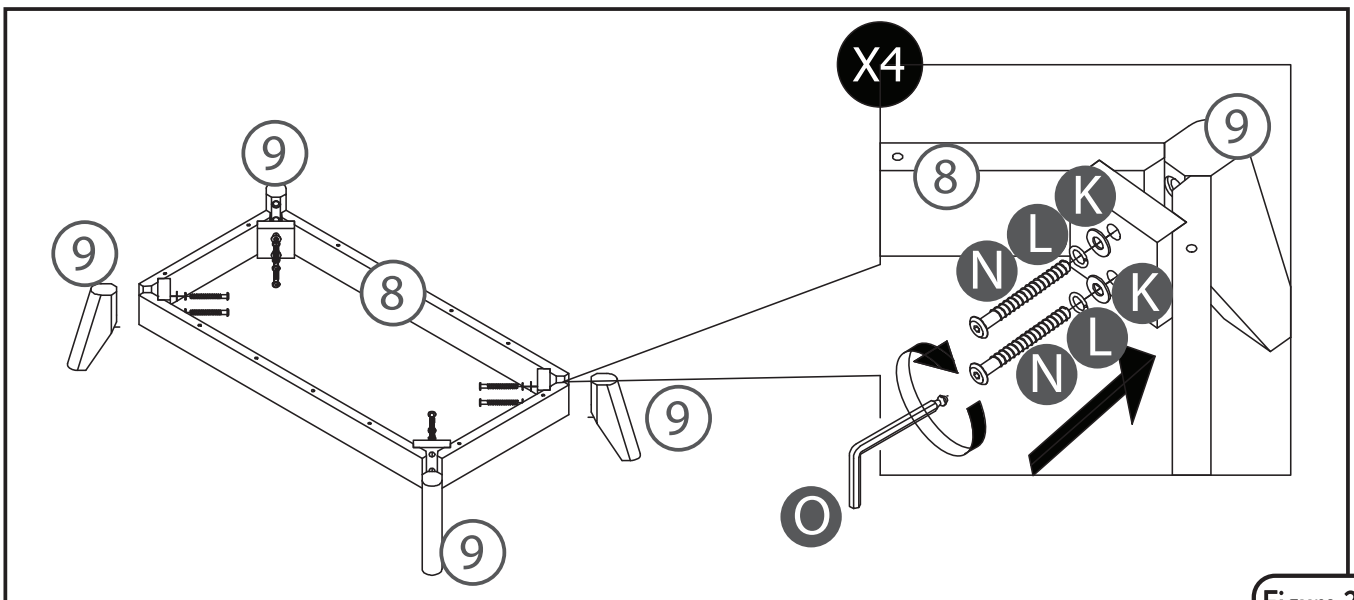


Figure 21A

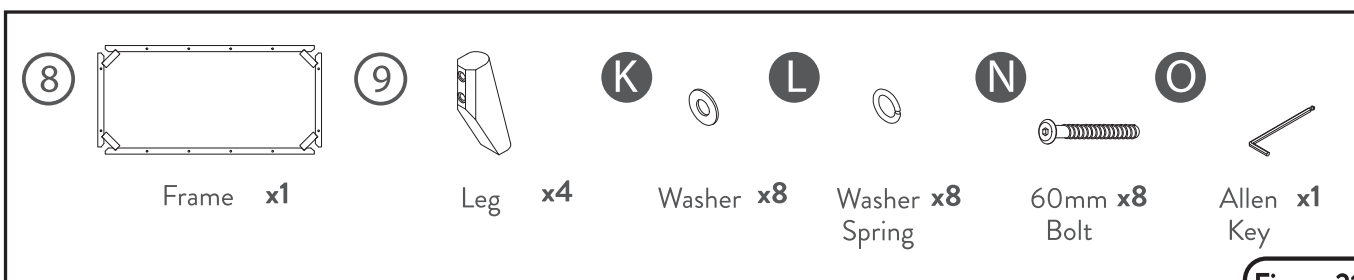
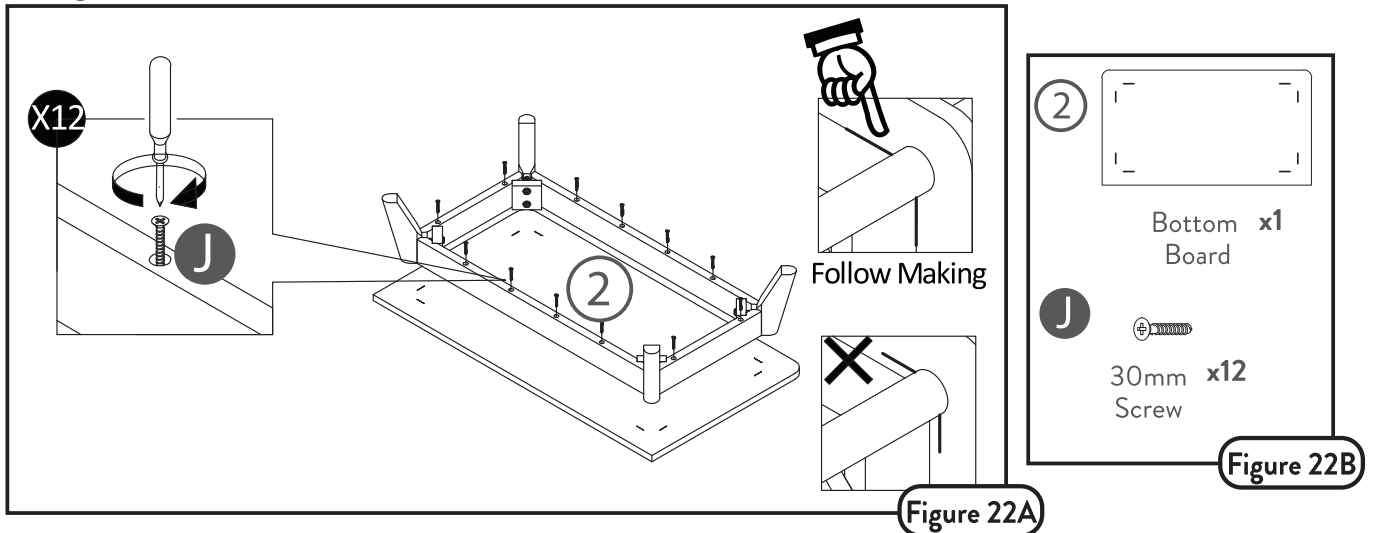


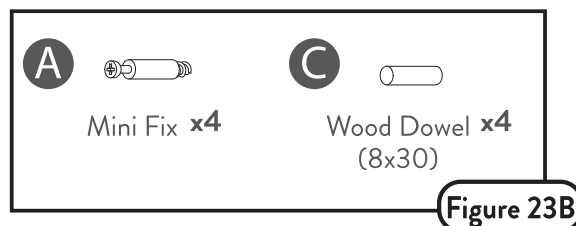
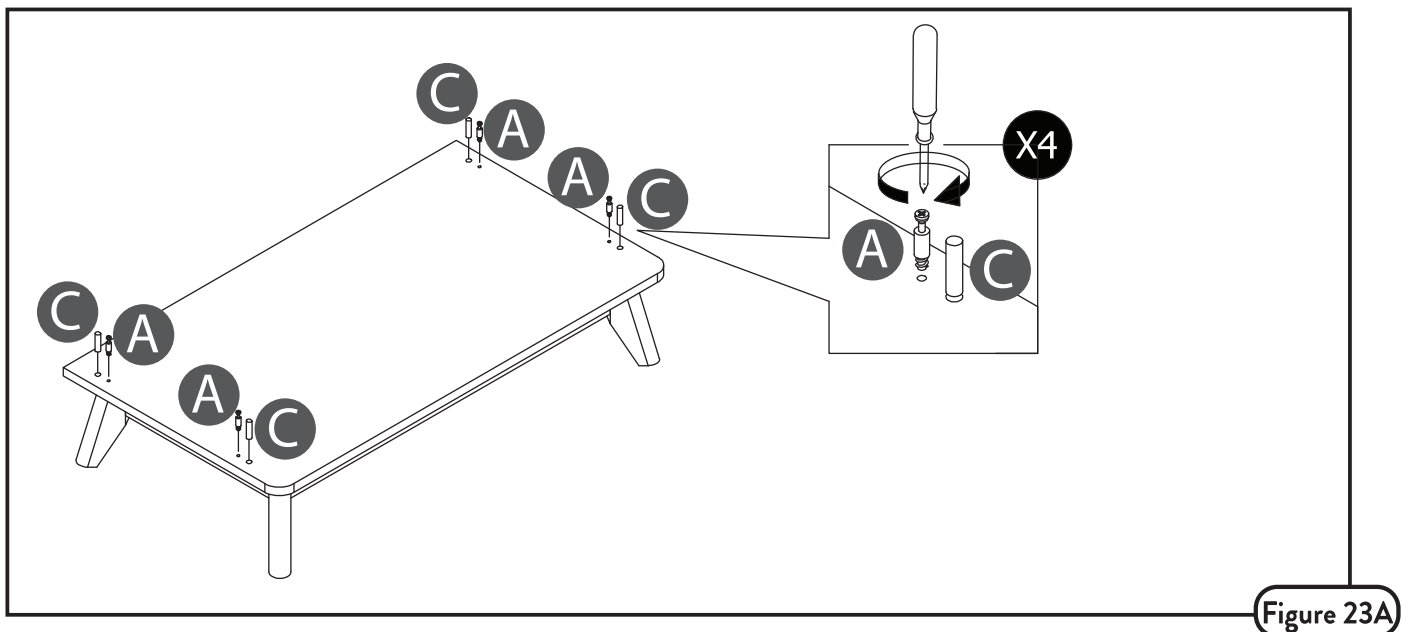
Figure 21B

## CHEST ASSEMBLY

**Step 22.** Attach the Bottom Board (2) to the lower frame from step 21 by using 12 x 30mm Screws (J)

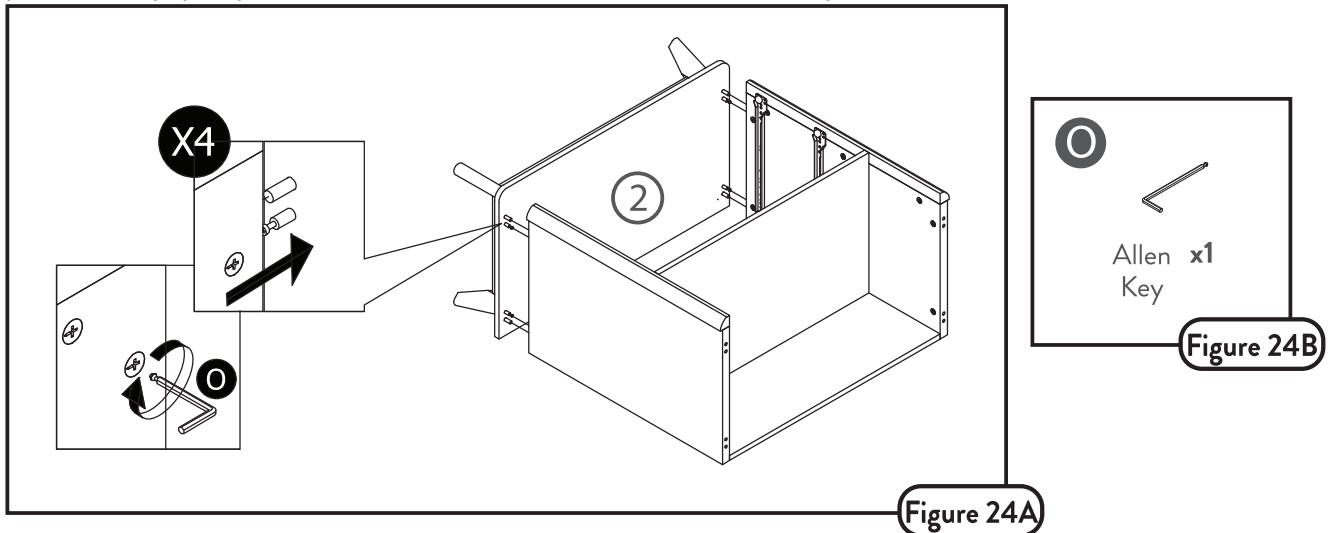


**Step 23.** Insert 4 x Mini Fix (A) & 4 x Wood Dowel (8x30) (C) into the lower assembly to prepare for the chest body.

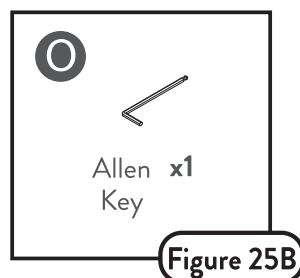
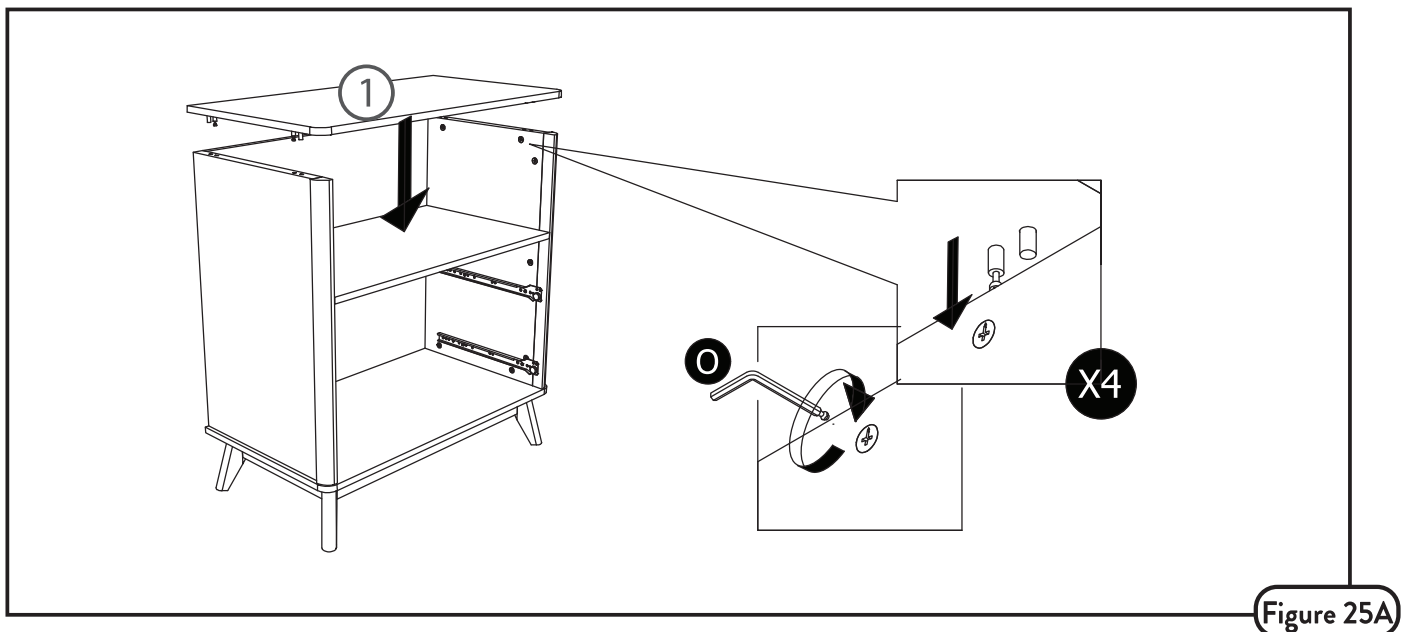


## CHEST ASSEMBLY

**Step 24.** Attach the lower assembly to the main body of the chest with the previously prepared Mini Fix and Dowels from step 23.



**Step 25.** Attach Top Board (1) to the main body of the chest, this was prepared in Step 14.



## CHEST ASSEMBLY

**Step 26.** Insert top and bottom drawers that were set up in steps 2-6.

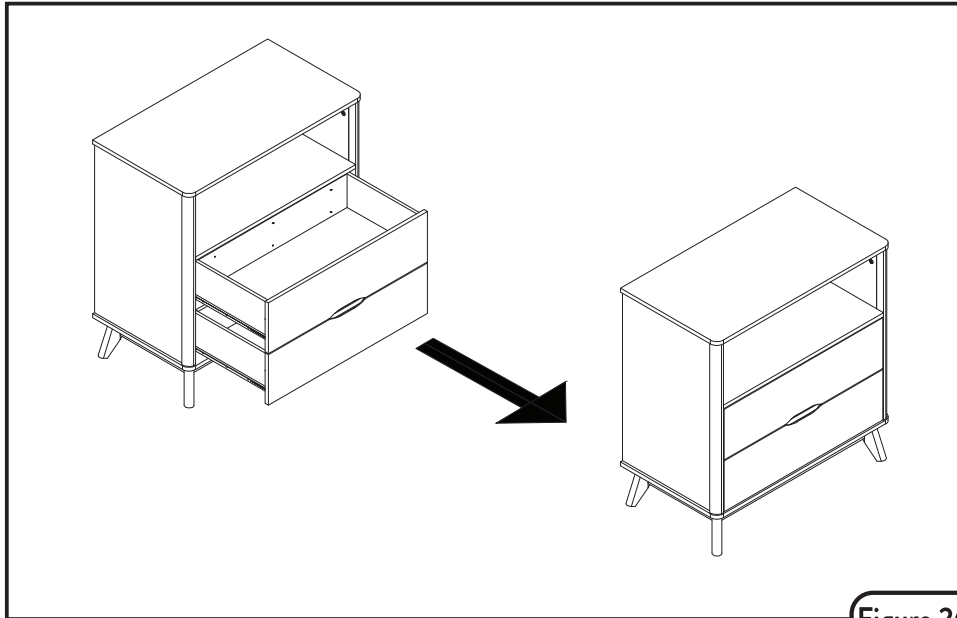


Figure 26A

**Step 27.** Position Upper Assembly that was set up in steps 7-11, to the main body of the chest.

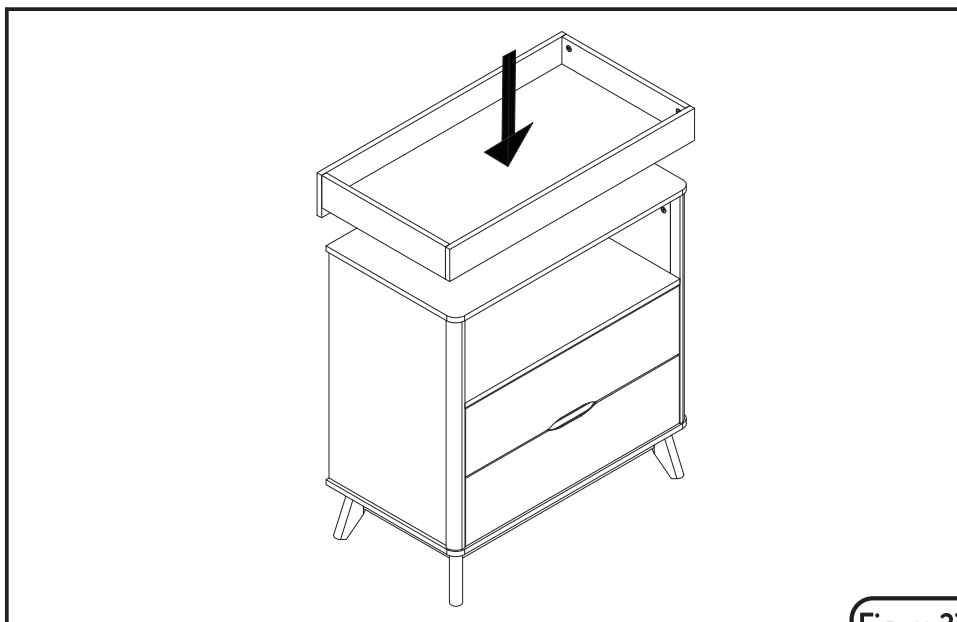
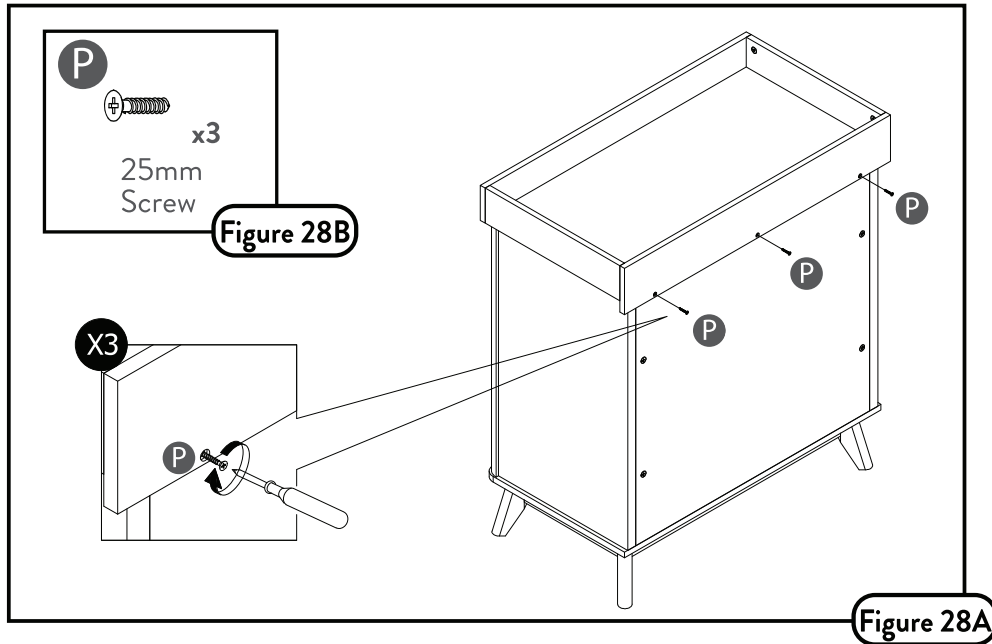


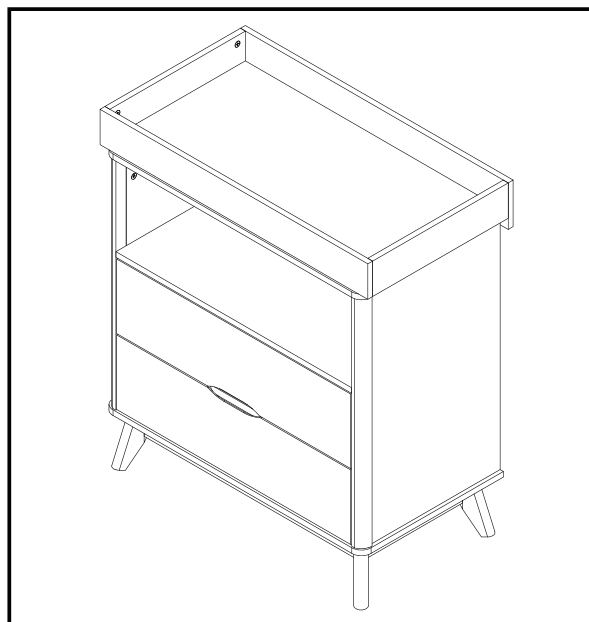
Figure 27A

## CHEST ASSEMBLY

**Step 28.** Attach the Upper Assembly to the main chest body with 3 x 25mm Screws (P), Tighten any remaining screws.

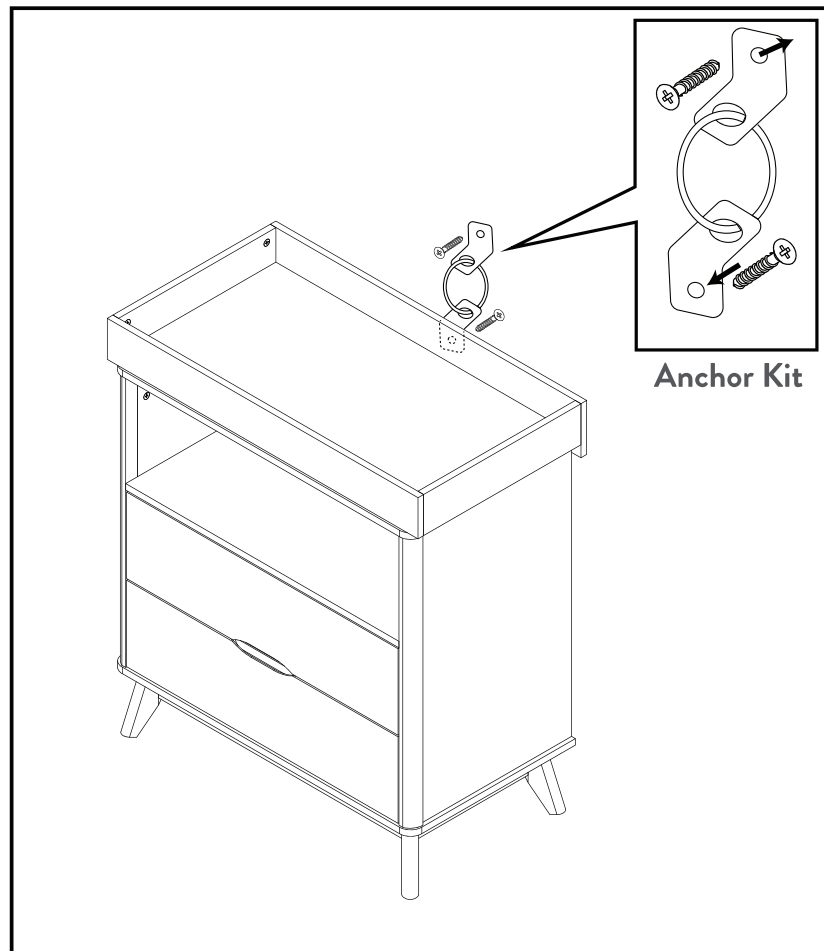


Your chest is now fully assembled and ready for use.



## ANCHORING CHEST

To anchor your chest, use the anchor kit as seen in the diagram below. Choose a suitable wall fixing and then fasten the strap to the wall as shown using appropriate fixings.



### WARNING

WE STRONGLY RECOMMEND THAT THIS PRODUCT BE PERMANENTLY FIXED TO THE WALL OR OTHER SUITABLE SURFACE. PLEASE SEEK PROFESSIONAL ADVICE IF YOU ARE IN DOUBT WHAT FIXING DEVICE TO USE.

### FURNITURE TRIP-OVER HAZARD

Children like climbing up on things, especially if there is something high that they want. Household furniture like bookshelves, chest of drawers and entertainment units can be attractive to climb. So too furniture like tallboys where pull out drawers act as stairs for climbing.

The inclusion of the anchoring strap is supplied as per the recommendations of the best practice Guide for Furniture and Television Trip-Over Prevention, from the National Retail Association.

## WARRANTY

1. Our goods come with guarantees that cannot be excluded under the Australian Consumer Law. You are entitled to a replacement or refund for a major failure and for compensation for any other reasonably foreseeable loss or damage. You are also entitled to have the goods repaired or replaced if the goods fail to be of acceptable quality and the failure does not amount to a major failure.

2. In order for your claim to be processed in an efficient timely manner please follow the warranty claims process as outlined below:

- Fill in the online customer service form found on the following link:

<https://grotime.link/contact-us>

- If you are unable for any reason to process your warranty claim using the online customer care form please call our Grotime customer care team on AU - 1300 92 4632 NZ - 067 590 870 or email [customercare@infa.com.au](mailto:customercare@infa.com.au)

- In order for your claim to be processed you will need to provide to Grotime with an original proof of purchase. For example original retailer purchase receipt, bill of sale, invoice, lay-by docket, credit card receipt proof of purchase.

- Note: providing attached photographs with your claim will greatly enhance the speed in which your claim is processed.

3. This warranty does not obligate Grotime to bear transportation costs incurred in the repair or replacement of any defective parts and excludes and superficial scratched, dents, scrapes or blemishes to paint work or timber surfaces. This Warranty does not cover faults or defects caused by:

- unsuitable, improper use or use not in accordance with the manufacturer's specifications
- incorrect installation or installation not in accordance with instructions provided
- normal wear and tear
- inadequate or complete lack of maintenance
- chemical, electrochemical or electrical influences or harsh detergents or abrasive cleaners used on product finishes
- discolouration caused to timber finish by ultra violet (UV) rays or overexposure to direct sunlight

4. To the fullest extent permitted by law, Grotime excludes all liability for damage or injury to any person, damage to any property, and any indirect consequential or other loss or damage.

[www.grotime.com.au](http://www.grotime.com.au)

[www.grotime.co.nz](http://www.grotime.co.nz)